

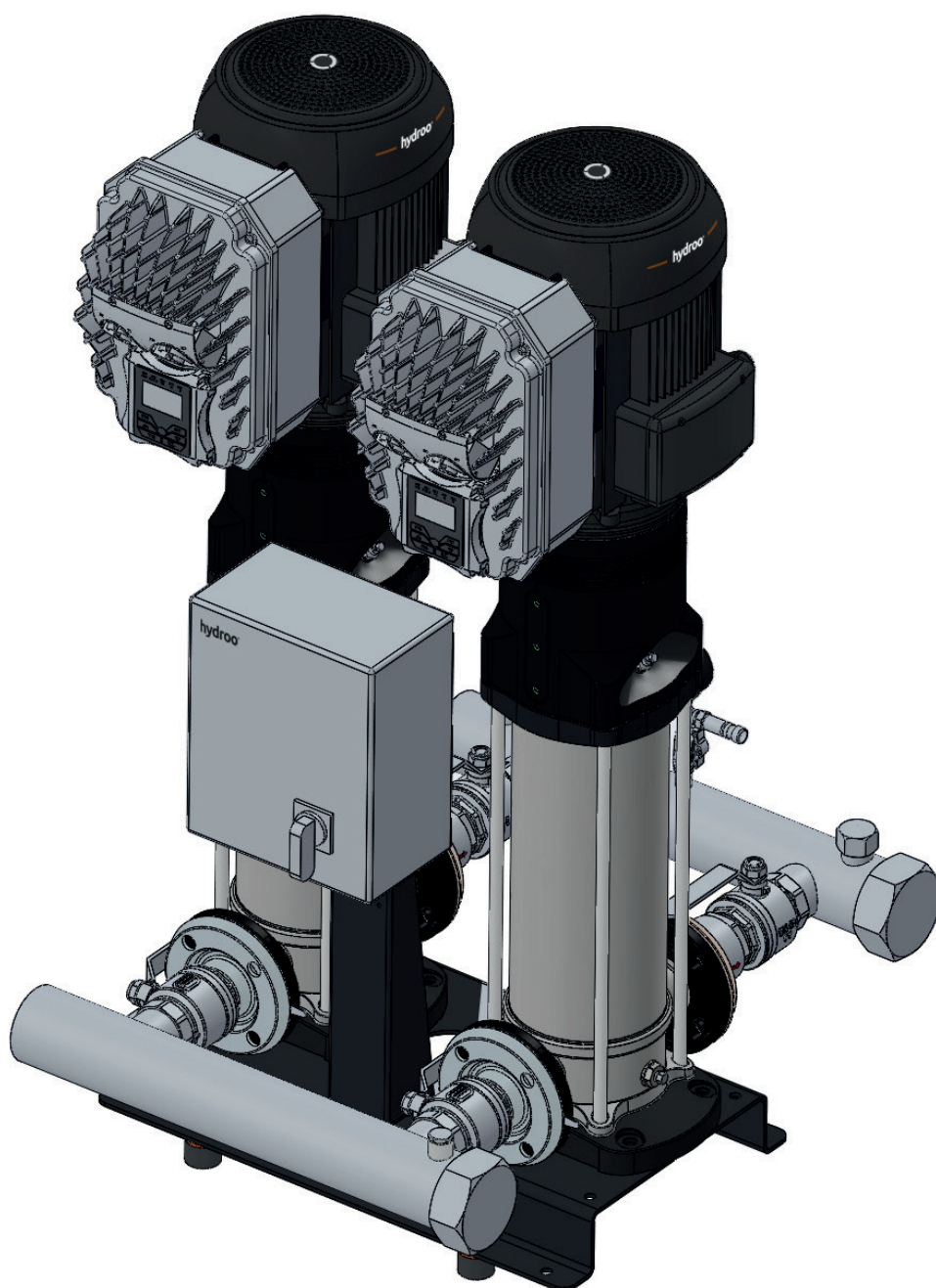
# hydroo®

## XDROO SERIES

# XBOOST



Variable speed  
booster sets





## PRESENTATION

**HYDROO** has set up a worldwide distribution network with key partners and is providing value to pump engineers and end users. We have an extensive pump portfolio with high-end solutions for many applications, including water-supply booster sets, fire-fighting equipment, borehole, HVAC, drainage and sewage, utilities, irrigation, desalination and RO equipment, and OEM integration, among many others. We provide solutions for all markets for 50 Hz and 60 Hz, including customized versions.

**HYDROO** has a factory in Palol de Revardit (Catalonia- Spain). It's been sized to guarantee our reliable, long-term, personalized manner and offer the best service to all our customers. We provide a wide range of products in an extremely short delivery time, thanks to our Lean manufacturing processes and our qualified professional and enthusiastic team.

Our commitment to ethics and legislation in relation to third parties is compiled in a public document of principles. The document has been agreed upon by the entire Hydroo team and its implementation is being coordinated by a committee to ensure the compliance and strengthening of the corporate culture in the whole company.

The expansion of Hydroo is based on excellence in operations and a successful business relationship with partners. Therefore, we face a strong growth in the target market. We are fully audited by SGS for ISO9001 and ISO14000 standards annually.

At **HYDROO**, we are committed to providing excellent service to our valued pump partners.

# Hy5 commitment

Global water challenges require excellence in pumping technologies and close cooperation between pump designers, manufacturers and pump engineers.

In order to meet our customers' needs in the most demanding pump installations, we are firmly committed to designing and manufacturing the best pumps in the market.

Therefore, we have our own open and public Hy5 commitment, which is summarized in 5 main values:



Highest pump performance is related to the detailed design of the motor and the hydraulics. We use high-end technical resources to reach the best-in-the-market results. Maximized hydraulic efficiency and IE3 standard motors achieve a unique leading pump concept: robust, reliable, flexible, user-adjustable, smart and multi-purpose.



Added value relies on the selection of material, the industrial process of the components production and the usable design of all the individual details. Pump flexibility, high line-up of options and personalized service are our added value.



Quality assurance is a key factor for added value products. Monitoring the pump quality, the crafted manufacturing processes and expedition quality are integrated in our core service offer. Moreover, variable frequency drivers are available to get the best pump service in any kind of installation. The world is constantly evolving and we contribute towards this with warmth and commitment.



The environment is at the core of our company philosophy. All processes consider the minimum impact in our own home. Within our designing processes, we take into account all individual requirements to get the best results and the lowest impact on the environment.



We take care of our customers' pumps. We are our customers' factory and they deserve our full commitment to excellence and exemplary corporate culture. We consider no boundaries within the value chain, from industrial installation engineering to pump managing. This vision results in a close cooperation with all players to get the best pumping solution.

**You can also visit us at**  
**[www.hydroo.com](http://www.hydroo.com)**

# XBOOST

Variable speed booster sets

## Applications

Water supply for residential & public buildings  
Garden irrigation  
Water supply for industrial uses  
Other applications

## Description

This variable speed PID controlled booster system is a sophisticated system, composed of latest technology PID variable speed control cabinet and from two to four sets of parallel pumps. It can be automatically adjusted to fulfil the requirement of constant pressure, variable flow water supply. The pressure of the water supply pipe network keeps constant, and the whole water supply system always keeps the best state of high efficiency and energy saving. There are two types of water supply and the most efficient one is driven by a variable frequency device that automatically adjusts the rotation speed of the pumps; unlike equipment with accumulation or hydropneumatics where pumps start or stop without a demand regulated operation. XBOOST is the best way to keep the pressure of the pipes constant and is very easy to operate and program setting. Many other requirements are available in terms of materials, connection types, accessories and special features.

## Performance range

Flow range: 0.4 ~ 1440 m³/h

Head: 4 ~305 m

Temperature: 0 °C ~+70 °C

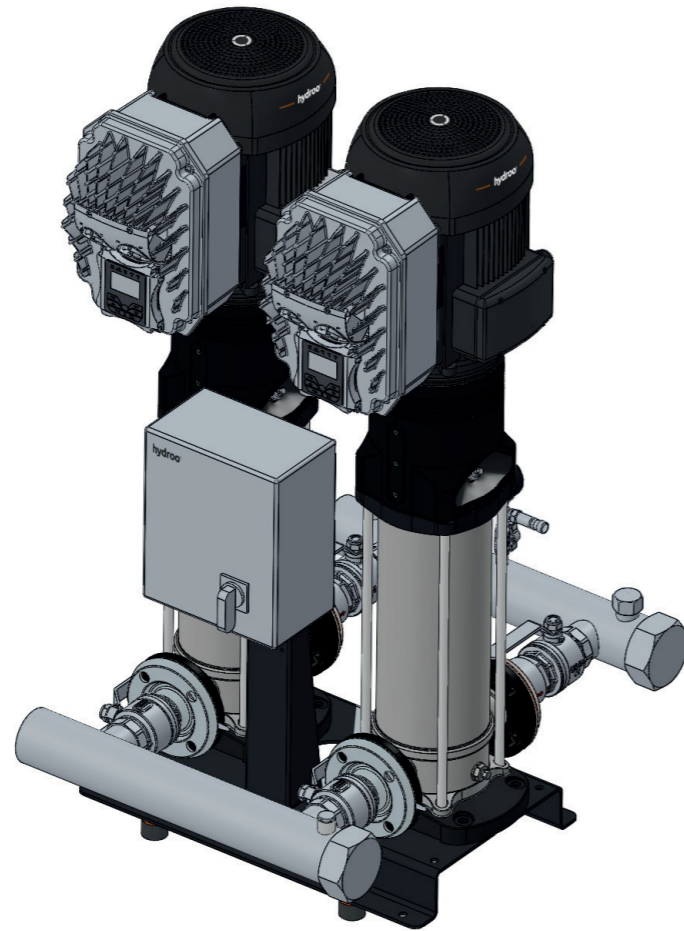
Voltage: 220V/380V

## Standard material

Cast iron.

SS304 wet parts.

SS316 wet parts.



## Pump

VDROO is a kind of vertical non-self priming multistage centrifugal pump, which is driven by a standard electric motor. The motor output shaft directly connects with the pump shaft through a coupling. The pressure-resistant cylinder and flow passage components are fixed between pump head and inlet&outlet section with stay bolts. The inlet and outlet are located at the pump bottom at the same plane. This kind of pump can be equipped with an intelligent protector to effectively prevent it from dry-running, out-of-phase and overload.

## Motor

Full-enclosed efficiency standard motor air cooled according IEC634-2014  
Protection class:IP55  
Insulation class: F  
Standard voltage: 50HZ:  
1x230V  
3x230/400V  
3x400/690V

## Application

VDROO is a kind of multifunctional products.

It can be used to convey various medium from tap water to industrial liquid at different temperature and with different flow rate and pressure. VF type is applicable to conveying non-corrosive liquid, while VX,VN is suitable for slightly corrosive liquid.

**-Water supply:** Water filter and transport in waterworks boosting of main pipeline, boosting in high-rise buildings.

**-Industrial boosting:** process flow water system, cleaning system, high-pressure washing system, fire fighting system.

**- Industrial liquid conveying:** Cooling and air-conditioning system, boiler water supply and condensing system, machine-associated purpose, acids and alkali.

**-Water treatment:** Ultra filtration system, reverse osmosis system distillation system, separator, swimming pool.

**-Irrigation :** Farmland irrigation, spray irrigation, dripping irrigation.

## Operation conditions

-Thin, clean, non-flammable and non-explosive liquid containing no solid granules and fibers.

-Liquid temperature: -15°C +120°C

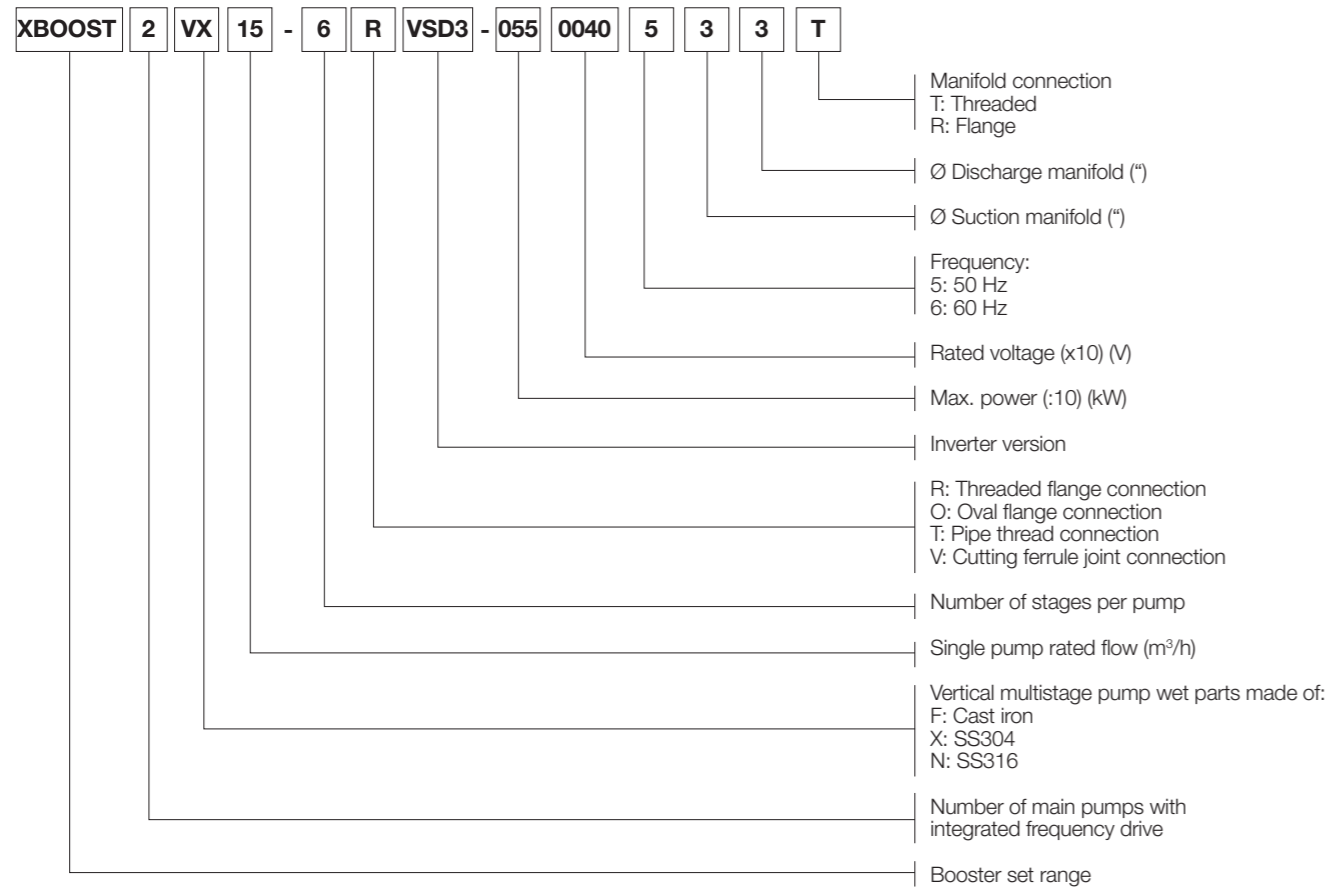
-Ambient temperature: up to +40°C

-Altitude: up to 1000m

## Product range

Description	VDROO-1	-3	-5	-10	-15	-20	-32	-45
Rated flow [m³/h]	1	3	5	10	15	20	32	45
Rated flow [l/s]	0.3	0.8	1.4	2.8	4.2	5.6	8,9	11,7
Flow range [m³/h]	0.5~2.4	1.2~4.4	2.5~8.5	5~14	8~24	10~29	16-40	25-55
Max. pressure. [bar]	24	23	24	24	24	23	29	30
Motor power [kW]	0.37~2.2	0.37~3	0.37~5.5	0.75~11	1.1~15	1.1~18.5	1,5-30	3-45
Temp. [°C]	-15 ~ +120							
Max. efficiency [%]	48	58	70	72	73	73	73	75
MEI rates	≥ 0,8			≥ 0,7			≥ 0,7	
VF	•	•	•	•	•	•	•	•
VX, VN	•	•	•	•	•	•	•	•
VD							•	•
VF, VX, VN, VD DIN Flange	DN25	DN25	DN32	DN40	DN50	DN50	DN65	DN80
VX, VN Cutting ferrule joint	DN32	DN32	DN32	DN50	DN50	DN50		
VX, VN Pipe thread	R1¼	R1¼	R1¼	R2	R2	R2		
VF, VX, VN Oval Flange	G1	G1	G1¼	G1½				

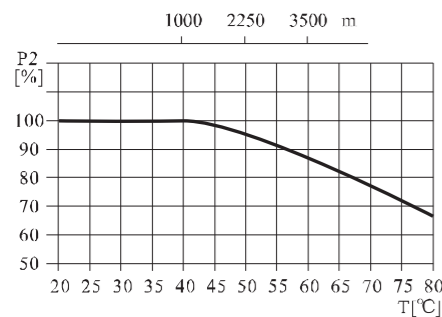
## Definition of model



\*For special applications please contact our AED department.

## Max. Ambient temperature

When the pump operates under ambient temperature higher than 40°C or at altitudes higher than 1000m, because of low air density and poor cooling effects, the motor output power P2 will be decreased to certain extent. If the pump is operated under the above-said conditions, it should be equipped with motor of higher power.



## Max. working pressure

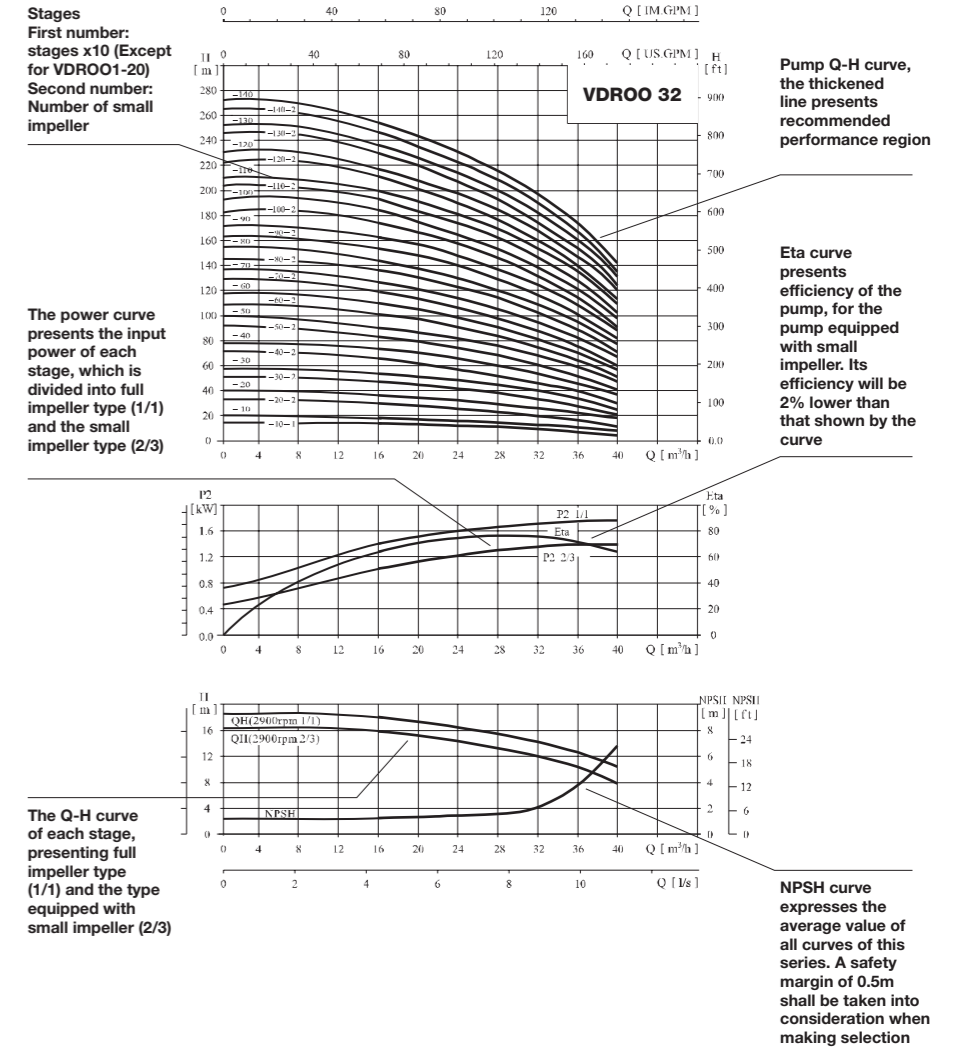
Model	Max. pressure (bar)
VF, VX, VN 1,3,5,10,15,20 Flange, cutting ferrule joint, pipe thread	25
VF, VX, VN 1,3,5,10 Oval Flange	16
VF 32-10-1 ~ 32-80	16
VF 32-90-2 ~32-160	30
VX, VN, VD 32	30
VF 45-10-1 ~45-60-2	16
VF 45-60 ~45-90	25
VF 45-100-2 ~45-130-2	30
VX, VN, VD 45-10-1 ~ 45-90	25
VX, VN, VD 45-100-2 ~ 45-130-2	30

## Performance curve

Following conditions are suitable for the performance curves shown below:

- All curves are based on the measured values of 50HZ: constant motor speed 2900rpm or 2950rpm.
- Curve tolerance in conformity with ISO9906 Annex A.
- Measurement is done with 20°C air-free water, kinematic viscosity of 1mm²/sec.
- The operation of pump shall refer to the performance region indicated by the thickened curve to prevent over-heating due to too small flow rate or overload of motor due to too large flow rate.

## Curve illustration



## Minimum inlet pressure NPSH

In case that the pressure in pump is lower than the steam pressure used to convey liquid, the cavitations will occur. To avoid cavitations, a minimum pressure at the inlet side of the pump shall be guaranteed.

The maximum suction stroke can be calculated with following formula: $H=P_b \times 10.2 - NPSH - H_f - H_v - H_s$   
Pb=atmosphere pressure [bar] (can be set as 1 bar)

In a closed system, Pb means system pressure [bar]

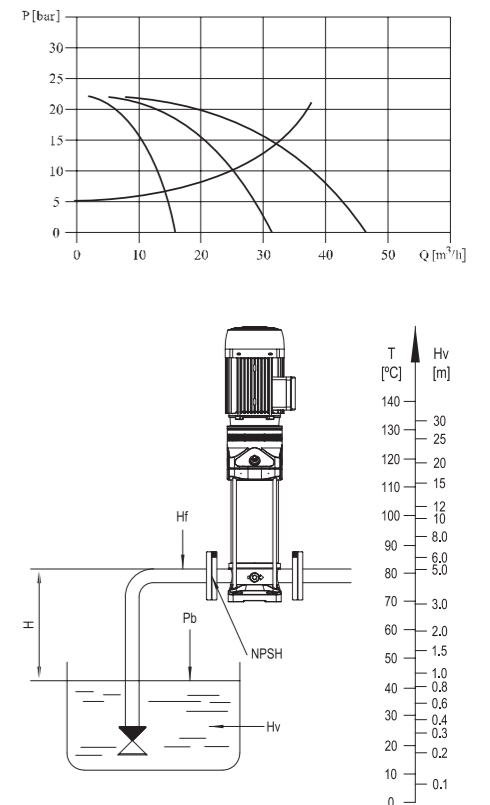
NPSH=Net positive suction head [m]  
(It can be read out from the point of possible max. Flow rate shown on NPSH curve)  
Hf=Pipeline loss at the inlet[m]  
Hv=Steam pressure[m]  
Hs=Safety margin=Minimum 0.5m delivery head

If the calculated result H is positive, the pump may Run under the max. Suction stroke H.

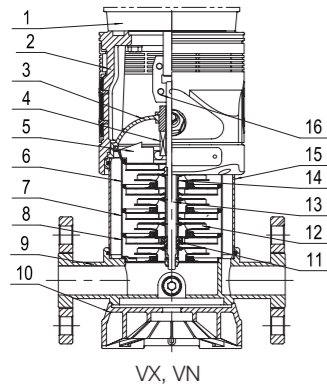
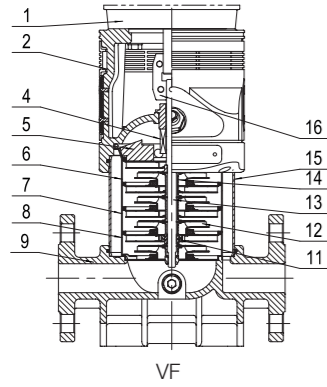
In case the calculated result H is negative, a delivery head of min. Inlet pressure is necessary.

Operation in parallel connecting several pumps in parallel running will benefit much more than running a single large pump.

Applicable to different working states necessary in a variable flow system. Increasing the possibility of water supply when the pump is in failure, because in case of pump failure, only part of the system flow is effected.



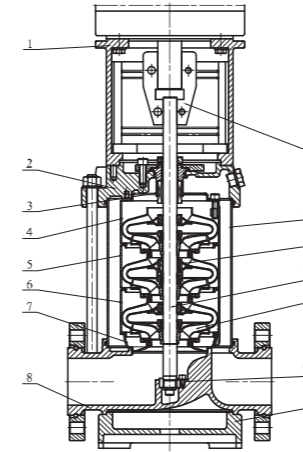
**Sectional drawing  
VF, VX, VN 3,5**



**Material  
VF, VX, VN 3,5**

N°	Name	Material	AISI /ASTM
1	Motor		
2	Pump head	Cast iron	ASTM25B
4	Mechanical seal	M106K/WC/FPM	
5	Top diffuser	Stainless steel	AISI304 / AISI316L
6	Diffuser	Stainless steel	AISI304 / AISI316L
7	Support diffuser	Stainless steel	AISI304 / AISI316L
8	Inducer	Stainless steel	AISI304 / AISI316L
11	Bearing	WC	
12	Impeller	Stainless steel	AISI304 / AISI316L
13	Shaft	Stainless steel	AISI304 / AISI316L
14	Impeller sleeve	Stainless steel	AISI304 / AISI316L
15	Cylinder	Stainless steel	AISI304 / AISI316L
16	Coupling	Carbon steel	
<b>VX, VN</b>			
3	Seal base	Stainless steel	AISI304 / AISI316L
9	Inlet and outlet chamber	Stainless steel	AISI304 / AISI316L
10	Base plate	Aluminium	ASTM25B
<b>VF</b>			
9	Inlet and outlet chamber	Cast iron	ASTM25B

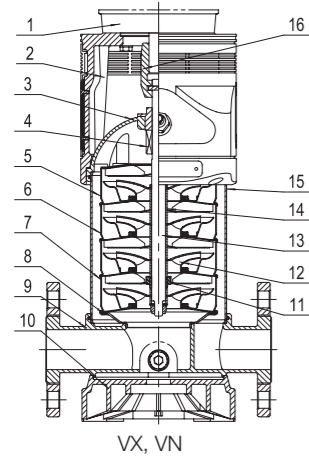
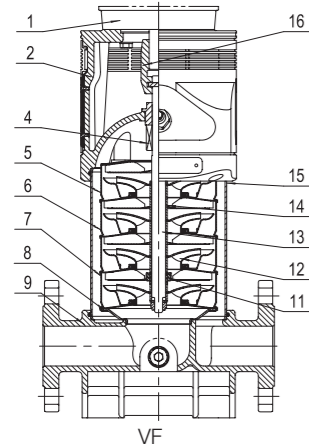
**Sectional drawing  
VF, VX, VN, VD 32**



**Material  
VF, VX, VN, VD 32,45**

N°	Name	Material	AISI /ASTM
1	Bracket	Cast iron	ASTM25B
3	Mechanical seal	M106K/WC/FPM	
4	Top diffuser	Stainless steel	AISI304 / AISI316 / SS904L
5	Support diffuser	Stainless steel	AISI304 / AISI316 / SS904L
6	Diffuser	Stainless steel	AISI304 / AISI316 / SS904L
7	Inducer	Stainless steel	AISI304 / AISI316 / SS904L
9	Base plate	Cast iron	ASTM25B
10	Bottom bearing	WC	
11	Impeller	Stainless steel	AISI304 / AISI316 / SS904L
12	Shaft	Stainless steel	AISI304 / AISI316L / AISI431
13	Intermediate bearing	WC	
14	Cylinder	Stainless steel	AISI304 / AISI316 / SS904L
15	Coupling	Carbon steel	
	Rubber parts	NBR	
<b>VF</b>			
2	Pump head	Cast iron	ASTM25B
8	Chambre d'entrée et de sortie	Cast iron	ASTM25B
<b>VX, VN, VD</b>			
2	Pump head	Stainless steel	AISI304 / AISI316 / SS2205
8	Inlet and outlet chamber	Stainless steel	AISI304 / AISI316 / SS2205

**Sectional drawing  
VF, VX, VN 10,15,20**



**Material  
VF, VX, VN 10,15,20**

N°	Name	Material	AISI /ASTM
1	Motor		
2	Pump head	Cast iron	ASTM25B
4	Mechanical seal	M106K/WC/FPM	
5	Top diffuser	Stainless steel	AISI304 / AISI316L
6	Diffuser	Stainless steel	AISI304 / AISI316L
7	Support diffuser	Stainless steel	AISI304 / AISI316L
8	Inducer	Stainless steel	AISI304 / AISI316L
11	Bearing	WC	
12	Impeller	Stainless steel	AISI304 / AISI316L
13	Shaft	Stainless steel	AISI304 / AISI316L
14	Impeller sleeve	Stainless steel	AISI304 / AISI316L
15	Cylinder	Stainless steel	AISI304 / AISI316L
16	Coupling	Carbon steel	
<b>VX, VN</b>			
3	Seal base	Stainless steel	AISI304 / AISI316L
9	Inlet and outlet chamber	Stainless steel	AISI304 / AISI316L
10	Base plate	Aluminium	ASTM25B
<b>VF</b>			
9	Inlet and outlet chamber	Cast iron	ASTM25B

# VSD1

**Pump driver ON-BOARD assembled for a single pump with variable speed**

**VSD1-MT6      VSD1-TT5  
VSD1-MT10    VSD1-TT9  
VSD1-MM6     VSD1-TT14  
VSD1-MM12**

## Description

Single-phase or 3-phase pumps managed by INVERTER. General electrical supply is single-phase and 3-phase ~3x230 or ~3x400 Vac -depending on model. It can be mounted individually or in groups of 2 pumps communicated and operating in MASTER-SLAVE mode with alternated sequence of operation. It will be installed over connection box of the motor through a wide range of fastenings.

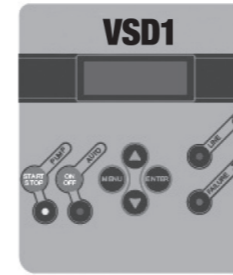
## Operating characteristics

- Frequency inverter for the pump control.
- Adaptable to any connection box of the motor through a wide range of fastenings.
- ART function (Automatic Reset Test). If the device has been stopped due to the action of the safety system against dry operation, the ART tries to connect the pump, with a programmed periodicity because the water supply could have been restored.
- Automatic restore system after an interruption of power supply. System restores the previous state keeping the configuration parameters.
- Electronic input for detection of minimum water level in aspiration tank- optional-. This system is independent of the safety system against dry-running operation.
- Control and information panel with LCD screen.
- Output 4-20 mA for an external pressure transducer.
- Volt-free contact for monitoring the alarms displayed in screen originated by irregularities or problems of the system. This option is only on monophasic devices.
- External pressure transducer 0-10 bar or 0-16 bar (under request).
- Inner current sensor with instantaneous digital reading.
- Register of operational controls. Information about: operating hours, counter of starts, counter of connections to the power supply.
- Register of alarms. Information about type and number of alarms since the starting up of the device.
- Open PID in the expert menu.
- Aluminium heat exchanger.
- Cooling by forced convection by the fan of the motor with an intelligent temperature.



## Control Panel

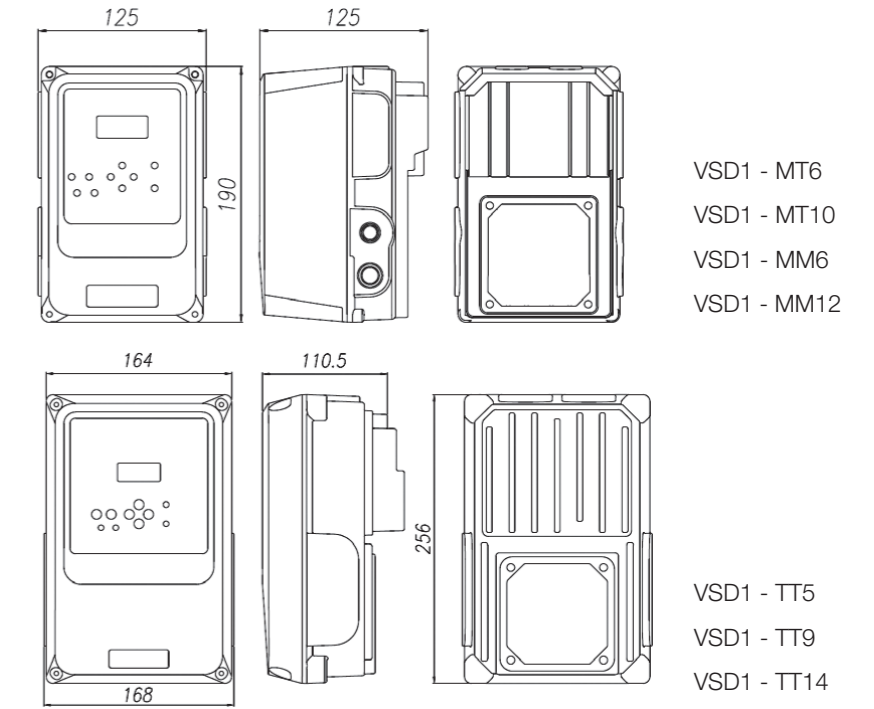
Control panel includes LCD screen, warning leds, push-buttons, START-STOP, AUTOMATIC and configuration system.



## Safety Systems

- Control and safety system against overcurrent.
- Electronic control and safety system against dry-running operation.
- Control and safety system against wrong supply voltage.
- Control and safety system against short-circuit between output phases

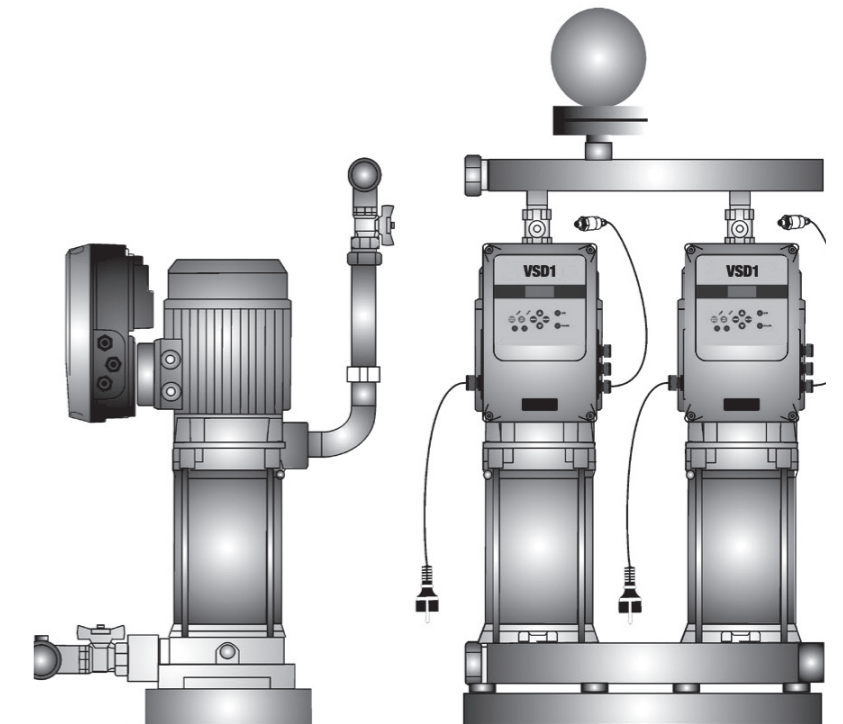
## Dimensions



VSD1 - MT6  
VSD1 - MT10  
VSD1 - MM6  
VSD1 - MM12

VSD1 - TT5  
VSD1 - TT9  
VSD1 - TT14

	VSD1-MT6	VSD1-MT10	VSD1-MM6	VSD1-MM12	VSD1-TT5	VSD1-TT9	VSD1-TT14
Power supply voltage	~1 x 230 Vac	~1 x 230 Vac	~1 x 230 Vac	~1 x 230 Vac	~3 x 400 Vac	~3 x 400 Vac	~3 x 400 Vac
Frequency	50/60 Hz	50/60 Hz	50/60 Hz	50/60 Hz	50/60 Hz	50/60 Hz	50/60 Hz
Output voltage	~3 x 230 Vac	~3 x 230 Vac	~1 x 230 Vac	~1 x 230 Vac	~3 x 400 Vac	~3 x 400 Vac	~3 x 400 Vac
Max current	6 A	10 A	6 A	12 A	5 A	9 A	14 A
Max peak current	20% 10"	20% 10"	20% 10"	20% 10"	20% 10"	20% 10"	20% 10"
Range of set pressure	0,5 ÷ 16 bar 0,5 ÷ 10 bar	0,5 ÷ 16 bar 0,5 ÷ 10 bar	0,5 ÷ 16 bar 0,5 ÷ 10 bar	0,5 ÷ 16 bar 0,5 ÷ 10 bar	0,5 ÷ 16 bar 0,5 ÷ 10 bar	0,5 ÷ 16 bar 0,5 ÷ 10 bar	0,5 ÷ 16 bar 0,5 ÷ 10 bar
Protection degree	IP65 (or maximum of engine)						
Output transducer	4-20 mA	4-20 mA	4-20 mA	4-20 mA	4-20 mA	4-20 mA	4-20 mA
Max environment temperature	50 °C	50 °C	50 °C	50 °C	50 °C	50 °C	50 °C
Net weight (without cables)	2,1 kg	2,1 kg	2,1 kg	2,1 kg	3,5 kg	3,5 kg	3,5 kg
Cooling system	Natural Convection	Forced Convection	Natural Convection	Forced Convection	Forced Convection	Forced Convection	Forced Convection
	i/o: ~1/~3		i/o: ~1/~1		i/o: ~3/~3		



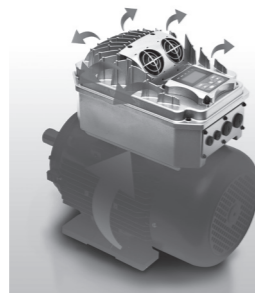
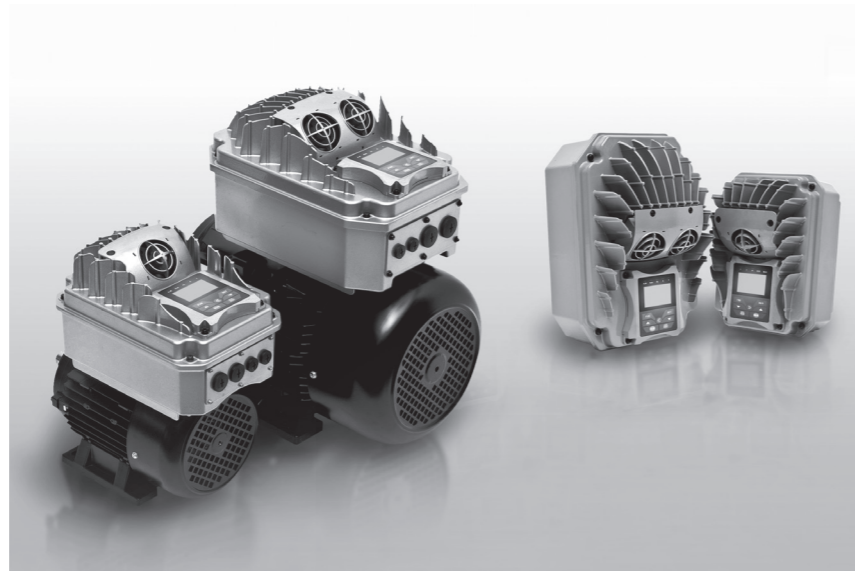
# VSD2 VSD3

Pump driver ON-BOARD  
assembled for a single  
pump with variable  
speed

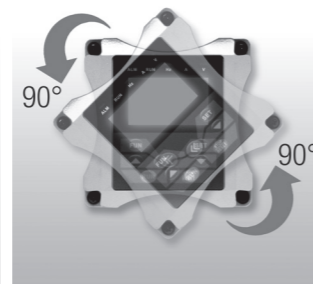
## Description

High-tech motor control concept, based on advanced DSP-technology V/Hz, SENSORLESS VECTOR, PMM synchronus motor control mode - SPEED / TORQUE control Intelligent AUTOTUNING functions for easy set-up. Rugged construction, all metal enclosure, thermally decoupled from motor, IP67 / NEMA4, shock proof (4G). Flexible configurable man/machine interface – fieldbus capability. Numerous functions, to make it suitable for all kind of industrial and residential applications, and for retrofit as well Smart PC-tools, for inverter control, parametrization and troubleshooting. Parameter-duplication stick. Approved for worldwide standards by independent bodies.

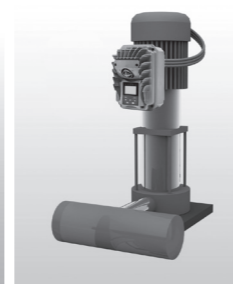
0,75KW - 11KW



Thermally Decoupled  
from Motor



Removable Keypad  
& 90° Rotation



Decentralized  
Application

## Products and Framesizes

Model	Motor power (KW)	Framesize	Dimensions (WxHxD-mm)	Remarks
VSD2-MT004	0,4 kW - 2.5 A	J1	186x266x180	1-phase 220V
VSD2-MT007	0.75 kW – 4,5A			
VSD2-MT15	1.5 kW – 7A			
VSD2-MT022	2.2 kW – 10A			
VSD2-TT004	0.4 kW – 2,5A			3-phase 220V
VSD2-TT007	0.75 kW - 4,5A			
VSD2-TT015	1.5 kW – 7A			
VSD2-TT022	2.2 kW – 10A			
VSD3-007	0.75 kW – 2A	J2	215x325x190	3-phase 380V
VSD3-015	1.5 kW – 4A			
VSD3-022	2.2 kW – 6,5A			
VSD3-030	3.0 kW – 7A			
VSD3-040	4.0 kW – 9A			
VSD3-055	5.5 kW – 12A			
VSD3-075	7.5 kW – 17A			
VSD3-110	11 kW – 23A	J3	280x380x220	

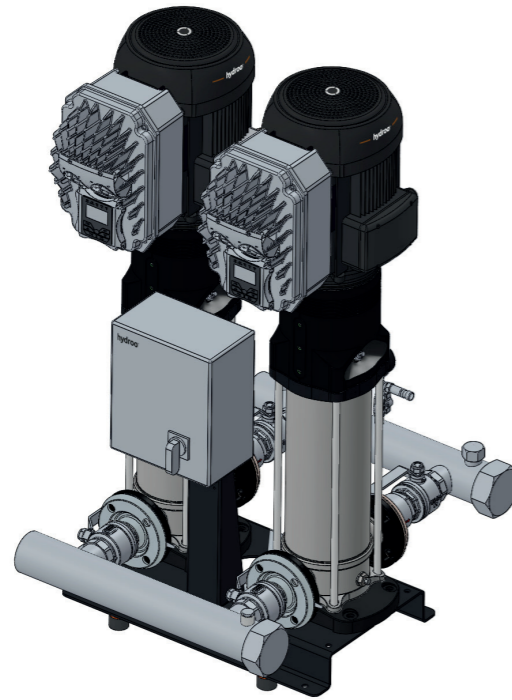
## Technical product data

Power input	Rated input voltage	3-Phase 380 - 460V +/- 15% 1-Phase 230/240V +/- 15%
	Input frequency	44...67 Hz
	EMC Filter	Integrated for 2. environment - industrial area (optional for residential area)
Motor output	Output voltage	0.....V-input
	Output frequency	0.....650 Hz (1500HZ OPITION)
	Frequency resolution	0,01 Hz
	Overload capability	150% - 60 sec. / 10 min
Control Mode	Motor control algorithm	V/Hz-SpaceVector - SLV-SENSORLESS Vector control - Torque/Speed control mode. CLV-Closed loop vector - Permanent Magnet Synchronous Motor PMSM SENSORLESS control.
	Chopper frequency	0.8...16 kHz (fixed / random)
	V/Hz curve	Linear, exponential, and user-programmable curve
	Starting torque	150% rated torque at 0,5 Hz (in SLV Mode)
	Torque compensation	Automatic / Manual
	Motor data input	Manual, from nameplate / AUTOTUNING
	Speed range	1:100 in SLV mode, 1:1000 in CLV mode, 1:20 in PMSM mode
	Speed precision	+/- 0,5% (SLV), +/- 0.02% (CLV)
	Torque precision	+/- 5% (SLV)
	DC-Brake	User programmable functions
	Brake chopper	Chopper transistor integrated (up to 22 kW)
	Display	Character display
I/O Channels	Analogue channels	2 analogue channels - 12 BIT: 0...10V, 0...5V, -10V...0...10V, 0...(4)20 mA, all free scalable in gain and offset, and mathematically concatenable
	Analogue outputs	2 analogue outputs, programmable in gain and function (0...10V, 0(4)..20 mA)
	Digital outputs	1 switchover contact 5 A 230 V (programmable assignment)
	Relais output	2 analogue outputs, programmable in gain and function (0...10V, 0(4)..20 mA)
	Data link	Serial link RS 485 (MODBUS)
Special functions	Special functions	12V/50 mA auxiliary power supply on terminals, 10V potentiometer power supply, 5V/100 mA power supply on modbus connector PTC / KLIXON motor protection
Electronic protections with fault history	Electrical	Overvoltage, undervoltage Overcurrent, overload, motor-overload, output short-circuit Input phaseloss, motor phase unbalance
	Thermal	Heatsink overtemperature, I2xt motorprotection
Optionals	Display	Remotable display / keypad units
	Brake chopper	Braking resistors for different load characteristics
	PC-software Parameter copy stick	Configuration-, control- an diagnosis-tool, parameter saving and duplicating For parameter duplicating
Environmental and operating conditions	Protection class	IP67 / NEMA4 motor/wall mountable
	Operating temperature	-10.....+50 °C – -40°C with automatic antifreeze control function (option)
	Humidity	0 to 95% RH, non-condensing, non-corrosive
	Altitude	1000 m, above: 1% derating / 100m
Power range		0,4.....15 kW
Standards	Electromagnetic compatibility	EN61800-3(2004)
	Safety	EN61800-5-1 2003



# XBOOST2

## Performance tables



### XBOOST2 VDR003

Model	Power (kW)	Q (m³/h)	0	2,4	3,2	4	4,8	5,6	6	6,4	7,2	8	8,8
XBOOST2 VDR00 3-3	0,37+0,37	H (m)	22,2	21,5	21	20,5	19,5	18	17	16,5	15	12,5	9,5
XBOOST2 VDR00 3-4	0,37+0,37		29,7	29	28,5	27,5	26	24	23	22	20	17	13
XBOOST2 VDR00 3-5	0,55+0,55		37,2	36	35	33,5	32	30	29	28	25	21	16
XBOOST2 VDR00 3-6	0,55+0,55		45	43,5	42,5	41	39	36,5	35	33,5	30	25	19,5
XBOOST2 VDR00 3-7	0,75+0,75		52,5	51	50	49	46	43	41	39,5	35	30	23
XBOOST2 VDR00 3-8	0,75+0,75		60	58,5	58	56	53	49	47	45	40	34	26,5
XBOOST2 VDR00 3-9	1,1+1,1		67,5	66	65	63	60	56	53	51	45	38	30
XBOOST2 VDR00 3-10	1,1+1,1		75	73	72	70	66	61	59	56	50	42	33,5
XBOOST2 VDR00 3-11	1,1+1,1		82,5	80	79	77	73	68	65	62	55	47	37
XBOOST2 VDR00 3-12	1,1+1,1		90	88	86	83	79	74	71	67	59	50	40,5
XBOOST2 VDR00 3-13	1,5+1,5		98	95	93	90	86	80	77	73	64	54	44
XBOOST2 VDR00 3-14	1,5+1,5		105	102	101	98	92,5	86	83	78	69	58	47
XBOOST2 VDR00 3-15	1,5+1,5		113	110	108	105	100	94	90	86	76	64	51

### XBOOST2 VDR005

Model	Power (kW)	Q (m³/h)	0	5	6	8	10	12	14	16	17
XBOOST2 VDR00 5-3	0,55+0,55	H (m)	22,1	21	20,5	19	17,5	15	12	9	7,5
XBOOST2 VDR00 5-4	0,55+0,55		29,5	28	27,5	26	24	21	17	13	11
XBOOST2 VDR00 5-5	0,75+0,75		37	35	34,5	33	30	27	23	18	15
XBOOST2 VDR00 5-6	1,1+1,1		44,5	42	41,5	40	37	33	27	21	18
XBOOST2 VDR00 5-7	1,1+1,1		52	49,5	48,5	46	42,5	38,5	31,5	24,5	21
XBOOST2 VDR00 5-8	1,1+1,1		59	57	56	53	49	44	36	28	24
XBOOST2 VDR00 5-9	1,5+1,5		67	64	63	60	55	49,5	41,5	31,5	27
XBOOST2 VDR00 5-10	1,5+1,5		74,5	71	70	66	62	55	46	35	30
XBOOST2 VDR00 5-11	1,5+1,5		82	78	77	73	68	61	51	39	33
XBOOST2 VDR00 5-12	2,2+2,2		89,5	85	84	81	74,5	66	55	43	37
XBOOST2 VDR00 5-13	2,2+2,2		97	92	91	87	80	71	60	47	40
XBOOST2 VDR00 5-14	2,2+2,2		104	100	98	93	87	77	65	51	43,5
XBOOST2 VDR00 5-15	2,2+2,2		112	107	106	100	93	82	69	54	46,5

### XBOOST2 VDR0010

Model	Power (kW)	Q (m³/h)	0	10	12	16	20	24	28
XBOOST2 VDR00 10-2	0,75+0,75	H (m)	22,2	21	20,5	19	16,5	13,5	9,5
XBOOST2 VDR00 10-3	1,1+1,1		33,3	31,5	31	28,5	25,5	22	16,5
XBOOST2 VDR00 10-4	1,5+1,5		44,5	42	41	38	34	29	22
XBOOST2 VDR00 10-5	2,2+2,2		56	52,5	51	48	43	37	28
XBOOST2 VDR00 10-6	2,2+2,2		67	63	62	58	52	44	34
XBOOST2 VDR00 10-7	3+3		78,5	74	73	69	62	52	40
XBOOST2 VDR00 10-8	3+3		90	85	84	79	71	60	46
XBOOST2 VDR00 10-9	4+4		101,5	96	94	89	80	67	52
XBOOST2 VDR00 10-10	4+4		113	107	105	98	89	76	58

### XBOOST2 VDR0015

Model	Power (kW)	Q (m³/h)	0	16	20	24	28	30	32	36	40	44	48
XBOOST2 VDR00 15-2	2,2+2,2	H (m)	26	24,5	24	23,5	23	22,5	21,5	20	18	16	13,5
XBOOST2 VDR00 15-3	3+3		40	37,5	37	36,5	35,5	34,5	34	32	29	25	21
XBOOST2 VDR00 15-4	4+4		54	50,5	50	49	47,5	47	46	43	39	34	28,5
XBOOST2 VDR00 15-5	4+4		68	63	62	61	59	58	57	53	48	42,5	36
XBOOST2 VDR00 15-6	5,5+5,5		82	76	75	73	71	69	67	63	58	52	43
XBOOST2 VDR00 15-7	5,5+5,5		96	89	88	86	83	81	79	74	68	61	51
XBOOST2 VDR00 15-8	7,5+7,5		110	102	100	98	95	93	91	85	78	69	59

### XBOOST2 VDR0020

Model	Power (kW)	Q (m³/h)	0	20	24	28	32	36	40	44	48	52	56	58
XBOOST2 VDR00 20-2	2,2+2,2	H (m)	27,2	25,5	25	24,5	24	23,7	23	22	20,5	18	16	14,5
XBOOST2 VDR00 20-3	4+4		41,5	39,5	39	38	37	36	35	33	31	28	25	23,5
XBOOST2 VDR00 20-4	5,5+5,5		55,5	52,5	51	50	49	48,5	47	45	41,5	37	33	31,5
XBOOST2 VDR00 20-5	5,5+5,5		69,5	66	65	64	62	60	58	55	51	47	42	40
XBOOST2 VDR00 20-6	7,5+7,5		84	79	78	77	75	73	70	66	62	58	52	48
XBOOST2 VDR00 20-7	7,5+7,5		98	92,5	91	90	88	85	82	78	73	68	61	57,5
XBOOST2 VDR00 20-8	11+11		113	106	105	103	101	98	95	90	84	77	70	66

### XBOOST2 VDR0032

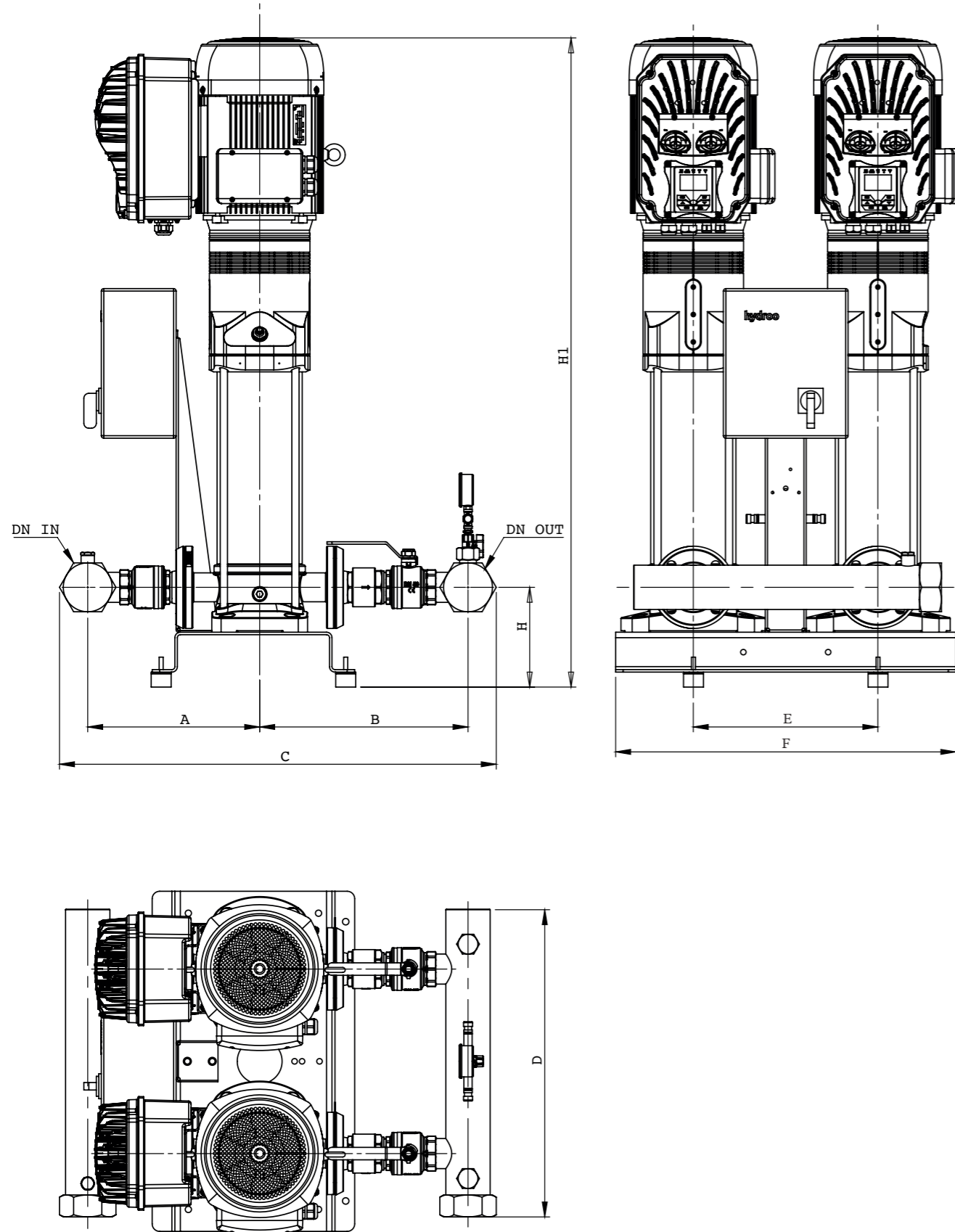
Model	Power (kW)	Q (m³/h)	32	40	48	56	64	72	80
XBOOST2 VDR00 32-10	2,2+2,2	H (m)	18	17	15	14	13	11	8
XBOOST2 VDR00 32-20-2	3+3		29	28	26	23	20	16	11
XBOOST2 VDR00 32-20	4+4		36	34	32	29	27	23	18
XBOOST2 VDR00 32-30-2	5,5+5,5		47	44	41	39	33	28	21
XBOOST2 VDR00 32-30	5,5+5,5		54	51	48	44	40	35	27
XBOOST2 VDR00 32-40-2	7,5+7,5		65	62	58	53	46	40	30
XBOOST2 VDR00 32-40	7,5+7,5		72	69	65	59	53	47	37
XBOOST2 VDR00 32-50-2	11+11		83	79	74	68	60	52	41
XBOOST2 VDR00 32-50	11+11		90	86	81	74	67	59	47
XBOOST2 VDR00 32-60-2	11+11		101	97	90	83	74	65	51
XBOOST2 VDR00 32-60	11+11	108	104	97	90	81	72	57	

### XBOOST2 VDR0045

Model	Power (kW)	Q (m³/h)	50	60	70	80	84	90	100	110
XBOOST2 VDR00 45-20-2	5,5+5,5	H (m)	40	38	36	33	32	30	27	23
XBOOST2 VDR00 45-20	7,5+7,5		48	46	44	42	41	39	35	31
XBOOST2 VDR00 45-30-2	11+11		63	31	58	54	52	50	44	38
XBOOST2 VDR00 45-30	11+11		71	69	66	63	61	58	53	47

# XBOOST2

## Installation sketch



## General dimensions

### XBOOST2 VDROO3

Model	DN <sub>IN</sub>	DN <sub>OUT</sub>	A (mm)	B (mm)	C (mm)	D (mm)	E (mm)	F (mm)	H (mm)	H1 (mm)
XBOOST2 VDROO 3-3	2"	2"	257	301	680	610	370	682	109	531
XBOOST2 VDROO 3-4	2"	2"	257	301	680	610	370	682	109	551
XBOOST2 VDROO 3-5	2"	2"	257	301	680	610	370	682	109	571
XBOOST2 VDROO 3-6	2"	2"	257	301	680	610	370	682	109	591
XBOOST2 VDROO 3-7	2"	2"	257	301	680	610	370	682	109	651
XBOOST2 VDROO 3-8	2"	2"	257	301	680	610	370	682	109	671
XBOOST2 VDROO 3-9	2"	2"	257	301	680	610	370	682	109	691
XBOOST2 VDROO 3-10	2"	2"	257	301	680	610	370	682	109	711
XBOOST2 VDROO 3-11	2"	2"	257	301	680	610	370	682	109	731
XBOOST2 VDROO 3-12	2"	2"	257	301	680	610	370	682	109	751
XBOOST2 VDROO 3-13	2"	2"	257	301	680	610	370	682	109	826
XBOOST2 VDROO 3-14	2"	2"	257	301	680	610	370	682	109	846
XBOOST2 VDROO 3-15	2"	2"	257	301	680	610	370	682	109	866

### XBOOST2 VDROO5

Model	DN <sub>IN</sub>	DN <sub>OUT</sub>	A (mm)	B (mm)	C (mm)	D (mm)	E (mm)	F (mm)	H (mm)	H1 (mm)
XBOOST2 VDROO 5-3	2"	2"	267	311	714	610	370	682	109	552
XBOOST2 VDROO 5-4	2"	2"	267	311	714	610	370	682	109	579
XBOOST2 VDROO 5-5	2"	2"	267	311	714	610	370	682	109	646
XBOOST2 VDROO 5-6	2"	2"	267	311	714	610	370	682	109	673
XBOOST2 VDROO 5-7	2"	2"	267	311	714	610	370	682	109	700
XBOOST2 VDROO 5-8	2"	2"	267	311	714	610	370	682	109	727
XBOOST2 VDROO 5-9	2"	2"	267	311	714	610	370	682	109	809
XBOOST2 VDROO 5-10	2"	2"	267	311	714	610	370	682	109	836
XBOOST2 VDROO 5-11	2"	2"	267	311	714	610	370	682	109	863
XBOOST2 VDROO 5-12	2"	2"	267	311	714	610	370	682	109	890
XBOOST2 VDROO 5-13	2"	2"	267	311	714	610	370	682	109	917
XBOOST2 VDROO 5-14	2"	2"	267	311	714	610	370	682	109	944
XBOOST2 VDROO 5-15	2"	2"	267	311	714	610	370	682	109	971

### XBOOST2 VDROO10

Model	DN <sub>IN</sub>	DN <sub>OUT</sub>	A (mm)	B (mm)	C (mm)	D (mm)	E (mm)	F (mm)	H (mm)	H1 (mm)
XBOOST2 VDROO 10-2	2" ½	2" ½	301	356	830	610	370	682	114	626
XBOOST2 VDROO 10-3	2" ½	2" ½	301	356	830	610	370	682	114	656
XBOOST2 VDROO 10-4	2" ½	2" ½	301	356	830	610	370	682	114	741
XBOOST2 VDROO 10-5	2" ½	2" ½	301	356	830	610	370	682	114	771
XBOOST2 VDROO 10-6	2" ½	2" ½	301	356	830	610	370	682	114	801
XBOOST2 VDROO 10-7	2" ½	2" ½	301	356	830	610	370	682	114	896
XBOOST2 VDROO 10-8	2" ½	2" ½	301	356	830	610	370	682	114	926
XBOOST2 VDROO 10-9	2" ½	2" ½	301	356	830	610	370	682	114	966
XBOOST2 VDROO 10-10	2" ½	2" ½	301	356	830	610	370	682	114	996

# XBOOST2

## General dimensions

### XBOOST2 VDRO015

Model	DN <sub>IN</sub>	DN <sub>OUT</sub>	A (mm)	B (mm)	C (mm)	D (mm)	E (mm)	F (mm)	H (mm)	H1 (mm)
XBOOST2 VDROO 15-2	3"	3"	351	409	848	610	370	640	200	797
XBOOST2 VDROO 15-3	3"	3"	351	409	848	610	370	640	200	907
XBOOST2 VDROO 15-4	3"	3"	351	409	848	610	370	640	200	962
XBOOST2 VDROO 15-5	3"	3"	351	409	848	610	370	640	200	1007
XBOOST2 VDROO 15-6	3"	3"	351	409	848	610	370	640	200	1165
XBOOST2 VDROO 15-7	3"	3"	351	409	848	610	370	640	200	1210
XBOOST2 VDROO 15-8	3"	3"	351	409	848	610	370	640	200	1255

### XBOOST2 VDRO020

Model	DN <sub>IN</sub>	DN <sub>OUT</sub>	A (mm)	B (mm)	C (mm)	D (mm)	E (mm)	F (mm)	H (mm)	H1 (mm)
XBOOST2 VDROO 20-2	3"	3"	351	409	848	610	370	640	200	797
XBOOST2 VDROO 20-3	3"	3"	351	409	848	610	370	640	200	917
XBOOST2 VDROO 20-4	3"	3"	351	409	848	610	370	640	200	1075
XBOOST2 VDROO 20-5	3"	3"	351	409	848	610	370	640	200	1120
XBOOST2 VDROO 20-6	3"	3"	351	409	848	610	370	640	200	1165
XBOOST2 VDROO 20-7	3"	3"	351	409	848	610	370	640	200	1210
XBOOST2 VDROO 20-8	3"	3"	351	409	848	680	440	960	250	1445

### XBOOST2 VDRO032

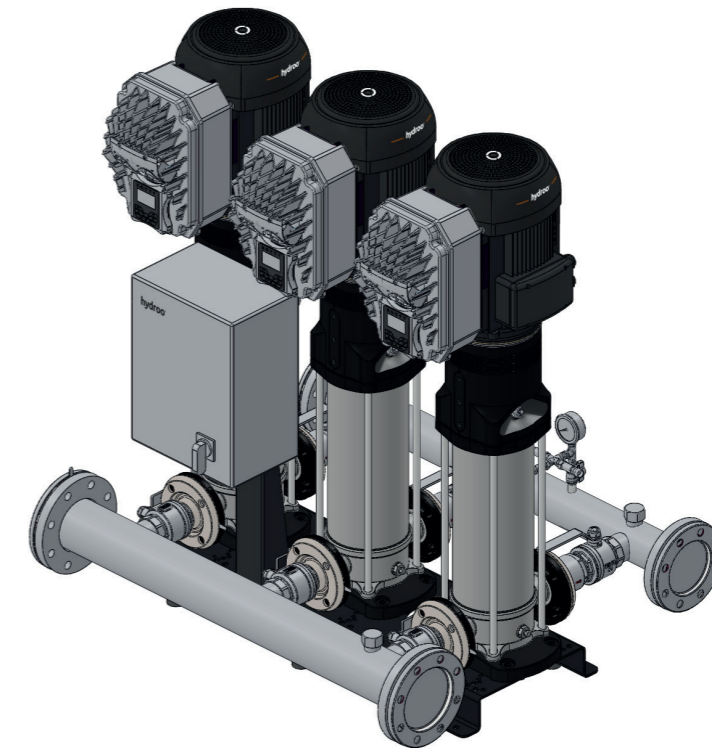
Model	DN <sub>IN</sub>	DN <sub>OUT</sub>	A (mm)	B (mm)	C (mm)	D (mm)	E (mm)	F (mm)	H (mm)	H1 (mm)
XBOOST2 VDROO 32-10	100	80	448	701	1359	680	440	960	265	955
XBOOST2 VDROO 32-20-2	100	80	448	701	1359	680	440	960	265	1080
XBOOST2 VDROO 32-20	100	80	448	701	1359	680	440	960	265	1090
XBOOST2 VDROO 32-30-2	100	80	448	701	1359	680	440	960	265	1195
XBOOST2 VDROO 32-30	100	80	448	701	1359	680	440	960	265	1195
XBOOST2 VDROO 32-40-2	100	80	448	701	1359	680	440	960	265	1265
XBOOST2 VDROO 32-40	100	80	448	701	1359	680	440	960	265	1265
XBOOST2 VDROO 32-50-2	100	80	448	701	1359	680	440	960	265	1550
XBOOST2 VDROO 32-50	100	80	448	701	1359	680	440	960	265	1550
XBOOST2 VDROO 32-60-2	100	80	448	701	1359	680	440	960	265	1620
XBOOST2 VDROO 32-60	100	80	448	701	1359	680	440	960	265	1620

### XBOOST2 VDRO045

Model	DN <sub>IN</sub>	DN <sub>OUT</sub>	A (mm)	B (mm)	C (mm)	D (mm)	E (mm)	F (mm)	H (mm)	H1 (mm)
XBOOST2 VDROO 45-20-2	125	100	484	739	1457	680	440	960	300	1226
XBOOST2 VDROO 45-20	125	100	484	739	1457	680	440	960	300	1226
XBOOST2 VDROO 45-30-2	125	100	484	739	1457	680	440	960	300	1521
XBOOST2 VDROO 45-30	125	100	484	739	1457	680	440	960	300	1521

# XBOOST3

## Performance ta



### XBOOST3 VDRO03

Model	Power (kW)	Q (m³/h)	0	3,6	4,8	6	7,2	8,4	9	9,6	10,8	12	13,2
XBOOST3 VDROO 3-3	3x0,37	H (m)	22,2	21,5	21	20,5	19,5	18	17	16,5	15	12,5	9,5
XBOOST3 VDROO 3-4	3x0,37		29,7	29	28,5	27,5	26	24	23	22	20	17	13
XBOOST3 VDROO 3-5	3x0,55		37,2	36	35	33,5	32	30	29	28	25	21	16
XBOOST3 VDROO 3-6	3x0,55		45	43,5	42,5	41	39	36,5	35	33,5	30	25	19,5
XBOOST3 VDROO 3-7	3x0,75		52,5	51	50	49	46	43	41	39,5	35	30	23
XBOOST3 VDROO 3-8	3x0,75		60	58,5	58	56	53	49	47	45	40	34	26,5
XBOOST3 VDROO 3-9	3x1,1		67,5	66	65	63	60	56	53	51	45	38	30
XBOOST3 VDROO 3-10	3x1,1		75	73	72	70	66	61	59	56	50	42	33,5
XBOOST3 VDROO 3-11	3x1,1		82,5	80	79	77	73	68	65	62	55	47	37
XBOOST3 VDROO 3-12	3x1,1		90	88	86	83	79	74	71	67	59	50	40,5
XBOOST3 VDROO 3-13	3x1,5		98	95	93	90	86	80	77	73	64	54	44
XBOOST3 VDROO 3-14	3x1,5		105	102	101	98	92,5	86	83	78	69	58	47
XBOOST3 VDROO 3-15	3x1,5		113	110	108	105	100	94	90	86	76	64	51

### XBOOST3 VDRO05

Model	Power (kW)	Q (m³/h)	0	7,5	9	12	15	18	21	24	25,5
XBOOST3 VDROO 5-3	3x0,55	H (m)	22,1	21	20,5	19	17,5	15	12	9	7,5
XBOOST3 VDROO 5-4	3x0,55		29,5	28	27,5	26	24	21	17	13	11
XBOOST3 VDROO 5-5	3x0,75		37	35	34,5	33	30	27	23	18	15
XBOOST3 VDROO 5-6	3x1,1		44,5	42	41,5	40	37	33	27	21	18
XBOOST3 VDROO 5-7	3x1,1		52	49,5	48,5	46	42,5	38,5	31,5	24,5	21
XBOOST3 VDROO 5-8	3x1,1		59	57	56	53	49	44	36	28	24
XBOOST3 VDROO 5-9	3x1,5		67	64	63	60	55	49,5	41,5	31,5	27
XBOOST3 VDROO 5-10	3x1,5		74,5	71	70	66	62	55	46	35	30
XBOOST3 VDROO 5-11	3x1,5		82	78	77	73	68	61	51	39	33
XBOOST3 VDROO 5-12	3x2,2		89,5	85	84	81	74,5	66	55	43	37
XBOOST3 VDROO 5-13	3x2,2		97	92	91	87	80	71	60	47	40
XBOOST3 VDROO 5-14	3x2,2		104	100	98	93	87	77	65	51	43,5
XBOOST3 VDROO 5-15	3x2,2		112	107	106	100	93	82	69	54	46,5

# XBOOST3

## Performance tables

### XBOOST3 VDRO010

Model	Power (kW)	Q (m³/h)	0	15	18	24	30	36	42
XBOOST3 VDRO0 10-2	3x0,75	H (m)	22,2	21	20,5	19	16,5	13,5	9,5
XBOOST3 VDRO0 10-3	3x1,1		33,3	31,5	31	28,5	25,5	22	16,5
XBOOST3 VDRO0 10-4	3x1,5		44,5	42	41	38	34	29	22
XBOOST3 VDRO0 10-5	3x2,2		56	52,5	51	48	43	37	28
XBOOST3 VDRO0 10-6	3x2,2		67	63	62	58	52	44	34
XBOOST3 VDRO0 10-7	3x3		78,5	74	73	69	62	52	40
XBOOST3 VDRO0 10-8	3x3		90	85	84	79	71	60	46
XBOOST3 VDRO0 10-9	3x4		101,5	96	94	89	80	67	52
XBOOST3 VDRO0 10-10	3x4		113	107	105	98	89	76	58

### XBOOST3 VDRO015

Model	Power (kW)	Q (m³/h)	0	24	30	36	42	45	48	54	60	66	72
XBOOST3 VDRO0 15-2	3x2,2	H (m)	26	24,5	24	23,5	23	22,5	21,5	20	18	16	13,5
XBOOST3 VDRO0 15-3	3x3		40	37,5	37	36,5	35,5	34,5	34	32	29	25	21
XBOOST3 VDRO0 15-4	3x4		54	50,5	50	49	47,5	47	46	43	39	34	28,5
XBOOST3 VDRO0 15-5	3x4		68	63	62	61	59	58	57	53	48	42,5	36
XBOOST3 VDRO0 15-6	3x5,5		82	76	75	73	71	69	67	63	58	52	43
XBOOST3 VDRO0 15-7	3x5,5		96	89	88	86	83	81	79	74	68	61	51
XBOOST3 VDRO0 15-8	3x7,5		110	102	100	98	95	93	91	85	78	69	59

### XBOOST3 VDRO020

Model	Power (kW)	Q (m³/h)	0	30	36	42	48	54	60	66	72	78	84	87
XBOOST3 VDRO0 20-2	3x2,2	H (m)	27,2	25,5	25	24,5	24	23,7	23	22	20,5	18	16	14,5
XBOOST3 VDRO0 20-3	3x4		41,5	39,5	39	38	37	36	35	33	31	28	25	23,5
XBOOST3 VDRO0 20-4	3x5,5		55,5	52,5	51	50	49	48,5	47	45	41,5	37	33	31,5
XBOOST3 VDRO0 20-5	3x5,5		69,5	66	65	64	62	60	58	55	51	47	42	40
XBOOST3 VDRO0 20-6	3x7,5		84	79	78	77	75	73	70	66	62	58	52	48
XBOOST3 VDRO0 20-7	3x7,5		98	92,5	91	90	88	85	82	78	73	68	61	57,5
XBOOST3 VDRO0 20-8	3x11		113	106	105	103	101	98	95	90	84	77	70	66

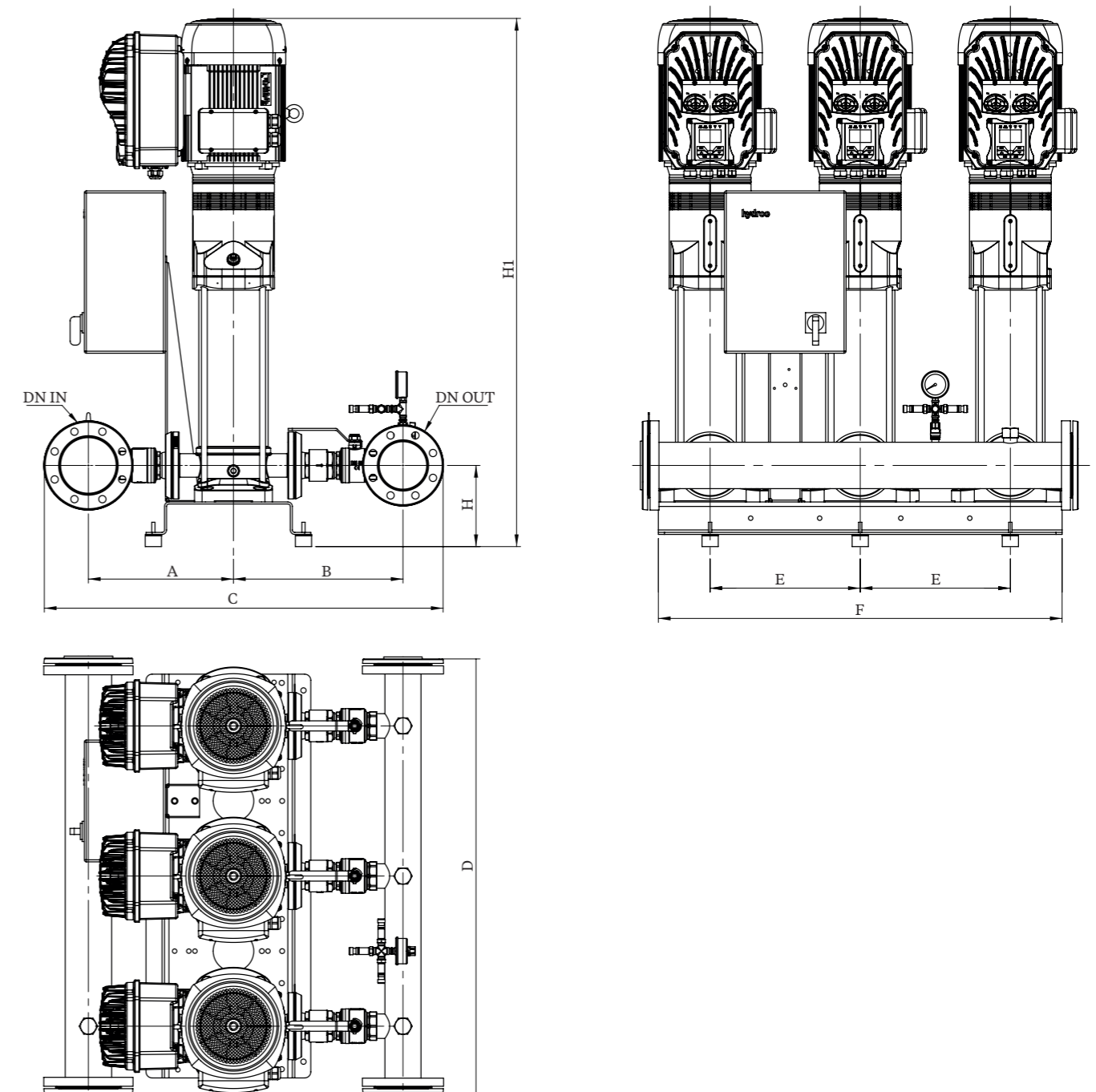
### XBOOST3 VDRO032

Model	Power (kW)	Q (m³/h)	48	60	72	84	96	108	120
XBOOST3 VDRO0 32-10	3x2,2	H (m)	18	17	15	14	13	11	8
XBOOST3 VDRO0 32-20-2	3x3		29	28	26	23	20	16	11
XBOOST3 VDRO0 32-20	3x4		36	34	32	29	27	23	18
XBOOST3 VDRO0 32-30-2	3x5,5		47	44	41	39	33	28	21
XBOOST3 VDRO0 32-30	3x5,5		54	51	48	44	40	35	27
XBOOST3 VDRO0 32-40-2	3x7,5		65	62	58	53	46	40	30
XBOOST3 VDRO0 32-40	3x7,5		72	69	65	59	53	47	37
XBOOST3 VDRO0 32-50-2	3x11		83	79	74	68	60	52	41
XBOOST3 VDRO0 32-50	3x11		90	86	81	74	67	59	47
XBOOST3 VDRO0 32-60-2	3x11		101	97	90	83	74	65	51
XBOOST3 VDRO0 32-60	3x11		108	104	97	90	81	72	57

### XBOOST3 VDRO045

Model	Power (kW)	Q (m³/h)	75	90	105	120	126	135	150	150
XBOOST3 VDRO0 45-20-2	3x5,5	H (m)	40	38	36	33	32	30	27	23
XBOOST3 VDRO0 45-20	3x7,5		48	46	44	42	41	39	35	31
XBOOST3 VDRO0 45-30-2	3x11		63	61	58	54	52	50	44	38
XBOOST3 VDRO0 45-30	3x11		71	69	66	63	61	58	53	47

## Installation sketch



# XBOOST3

## General dimensions

### XBOOST3 VDROO3

Model	DN <sub>IN</sub>	DN <sub>OUT</sub>	A (mm)	B (mm)	C (mm)	D (mm)	E (mm)	F (mm)	H (mm)	H1 (mm)
XBOOST3 VDROO 3-3	2"	2"	267	387	714	1040	370	995	185	628
XBOOST3 VDROO 3-4	2"	2"	267	387	714	1040	370	995	185	655
XBOOST3 VDROO 3-5	2"	2"	267	387	714	1040	370	995	185	722
XBOOST3 VDROO 3-6	2"	2"	267	387	714	1040	370	995	185	749
XBOOST3 VDROO 3-7	2"	2"	267	387	714	1040	370	995	185	776
XBOOST3 VDROO 3-8	2"	2"	267	387	714	1040	370	995	185	803
XBOOST3 VDROO 3-9	2"	2"	267	387	714	1040	370	995	185	885
XBOOST3 VDROO 3-10	2"	2"	267	387	714	1040	370	995	185	912
XBOOST3 VDROO 3-11	2"	2"	267	387	714	1040	370	995	185	939
XBOOST3 VDROO 3-12	2"	2"	267	387	714	1040	370	995	185	966
XBOOST3 VDROO 3-13	2"	2"	267	387	714	1040	370	995	185	993
XBOOST3 VDROO 3-14	2"	2"	267	387	714	1040	370	995	185	1020
XBOOST3 VDROO 3-15	2"	2"	267	387	714	1040	370	995	185	1047

### XBOOST3 VDROO5

Model	DN <sub>IN</sub>	DN <sub>OUT</sub>	A (mm)	B (mm)	C (mm)	D (mm)	E (mm)	F (mm)	H (mm)	H1 (mm)
XBOOST3 VDROO 5-3	2" ½	2" ½	267	387	714	1040	370	995	185	628
XBOOST3 VDROO 5-4	2" ½	2" ½	267	387	714	1040	370	995	185	655
XBOOST3 VDROO 5-5	2" ½	2" ½	267	387	714	1040	370	995	185	722
XBOOST3 VDROO 5-6	2" ½	2" ½	267	387	714	1040	370	995	185	749
XBOOST3 VDROO 5-7	2" ½	2" ½	267	387	714	1040	370	995	185	776
XBOOST3 VDROO 5-8	2" ½	2" ½	267	387	714	1040	370	995	185	803
XBOOST3 VDROO 5-9	2" ½	2" ½	267	387	714	1040	370	995	185	885
XBOOST3 VDROO 5-10	2" ½	2" ½	267	387	714	1040	370	995	185	912
XBOOST3 VDROO 5-11	2" ½	2" ½	267	387	714	1040	370	995	185	939
XBOOST3 VDROO 5-12	2" ½	2" ½	267	387	714	1040	370	995	185	966
XBOOST3 VDROO 5-13	2" ½	2" ½	267	387	714	1040	370	995	185	993
XBOOST3 VDROO 5-14	2" ½	2" ½	267	387	714	1040	370	995	185	1020
XBOOST3 VDROO 5-15	2" ½	2" ½	267	387	714	1040	370	995	185	1047

### XBOOST3 VDROO10

Model	DN <sub>IN</sub>	DN <sub>OUT</sub>	A (mm)	B (mm)	C (mm)	D (mm)	E (mm)	F (mm)	H (mm)	H1 (mm)
XBOOST3 VX10-2	2" ½	2" ½	301	453	830	1040	370	995	190	702
XBOOST3 VX10-3	2" ½	2" ½	301	453	830	1040	370	995	190	732
XBOOST3 VX10-4	2" ½	2" ½	301	453	830	1040	370	995	190	817
XBOOST3 VX10-5	2" ½	2" ½	301	453	830	1040	370	995	190	847
XBOOST3 VX10-6	2" ½	2" ½	301	453	830	1040	370	995	190	877
XBOOST3 VX10-7	2" ½	2" ½	301	453	830	1040	370	995	190	972
XBOOST3 VX10-8	2" ½	2" ½	301	453	830	1040	370	995	190	1002
XBOOST3 VX10-9	2" ½	2" ½	301	453	830	1040	370	995	190	1042
XBOOST3 VX10-10	2" ½	2" ½	301	453	830	1040	370	995	190	1072

### XBOOST3 VDROO15

Model	DN <sub>IN</sub>	DN <sub>OUT</sub>	A (mm)	B (mm)	C (mm)	D (mm)	E (mm)	F (mm)	H (mm)	H1 (mm)
XBOOST3 VDROO 15-2	100	80	363	409	982	1084	370	995	200	797
XBOOST3 VDROO 15-3	100	80	363	409	982	1084	370	995	200	907
XBOOST3 VDROO 15-4	100	80	363	409	982	1084	370	995	200	962
XBOOST3 VDROO 15-5	100	80	363	409	982	1084	370	995	200	1007
XBOOST3 VDROO 15-6	100	80	363	409	982	1084	370	995	200	1165
XBOOST3 VDROO 15-7	100	80	363	409	982	1084	370	995	200	1210
XBOOST3 VDROO 15-8	100	80	363	409	982	1084	370	995	200	1255

### XBOOST3 VDROO20

Model	DN <sub>IN</sub>	DN <sub>OUT</sub>	A (mm)	B (mm)	C (mm)	D (mm)	E (mm)	F (mm)	H (mm)	H1 (mm)
XBOOST3 VDROO 20-2	100	100	363	421	1004	1084	370	995	200	797
XBOOST3 VDROO 20-3	100	100	363	421	1004	1084	370	995	200	917
XBOOST3 VDROO 20-4	100	100	363	421	1004	1084	370	995	200	1075
XBOOST3 VDROO 20-5	100	100	363	421	1004	1084	370	995	200	1120
XBOOST3 VDROO 20-6	100	100	363	421	1004	1084	370	995	200	1165
XBOOST3 VDROO 20-7	100	100	363	421	1004	1084	370	995	200	1210
XBOOST3 VDROO 20-8	100	100	363	421	1004	1224	440	1400	250	1445

### XBOOST3 VDROO32

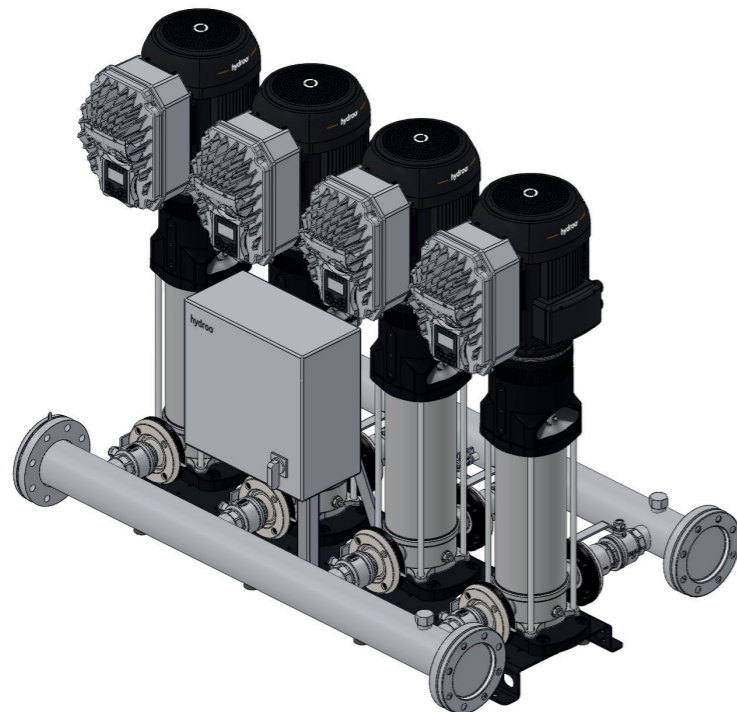
Model	DN <sub>IN</sub>	DN <sub>OUT</sub>	A (mm)	B (mm)	C (mm)	D (mm)	E (mm)	F (mm)	H (mm)	H1 (mm)
XBOOST3 VDROO 32-10	125	100	461	713	1409	1224	440	1400	265	955
XBOOST3 VDROO 32-20-2	125	100	461	713	1409	1224	440	1400	265	1080
XBOOST3 VDROO 32-20	125	100	461	713	1409	1224	440	1400	265	1090
XBOOST3 VDROO 32-30-2	125	100	461	713	1409	1224	440	1400	265	1195
XBOOST3 VDROO 32-30	125	100	461	713	1409	1224	440	1400	265	1195
XBOOST3 VDROO 32-40-2	125	100	461	713	1409	1224	440	1400	265	1265
XBOOST3 VDROO 32-40	125	100	461	713	1423	1224	440	1400	265	1265
XBOOST3 VDROO 32-50-2	125	100	461	713	1423	1224	440	1400	265	1550
XBOOST3 VDROO 32-50	125	100	461	713	1423	1224	440	1400	265	1550
XBOOST3 VDROO 32-60-2	125	100	461	713	1423	1224	440	1400	265	1620
XBOOST3 VDROO 32-60	125	100	461	713	1423	1224	440	1400	265	1620

### XBOOST3 VDROO45

Model	DN <sub>IN</sub>	DN <sub>OUT</sub>	A (mm)	B (mm)	C (mm)	D (mm)	E (mm)	F (mm)	H (mm)	H1 (mm)
XBOOST3 VDROO 45-20-2	150	125	498	752	1517	1224	440	1400	300	1226
XBOOST3 VDROO 45-20	150	125	498	752	1517	1224	440	1400	300	1226
XBOOST3 VDROO 45-30-2	150	125	498	752	1517	1224	440	1400	300	1521
XBOOST3 VDROO 45-30	150	125	498	752	1517	1224	440	1400	300	1521

# XBOOST4

## Performance tables



### XBOOST4 VDR003

Model	Power (kW)	Q (m³/h)	0	4,4	6,4	8	9,6	11,2	12	12,8	14,4	16	17,6
XBOOST4 VDR00 3-3	4x0,37	H (m)	22,2	21,5	21	20,5	19,5	18	17	16,5	15	12,5	9,5
XBOOST4 VDR00 3-4	4x0,37		29,7	29	28,5	27,5	26	24	23	22	20	17	13
XBOOST4 VDR00 3-5	4x0,55		37,2	36	35	33,5	32	30	29	28	25	21	16
XBOOST4 VDR00 3-6	4x0,55		45	43,5	42,5	41	39	36,5	35	33,5	30	25	19,5
XBOOST4 VDR00 3-7	4x0,75		52,5	51	50	49	46	43	41	39,5	35	30	23
XBOOST4 VDR00 3-8	4x0,75		60	58,5	58	56	53	49	47	45	40	34	26,5
XBOOST4 VDR00 3-9	4x1,1		67,5	66	65	63	60	56	53	51	45	38	30
XBOOST4 VDR00 3-10	4x1,1		75	73	72	70	66	61	59	56	50	42	33,5
XBOOST4 VDR00 3-11	4x1,1		82,5	80	79	77	73	68	65	62	55	47	37,5
XBOOST4 VDR00 3-12	4x1,1		90	88	86	83	79	74	71	67	59	50	40,5
XBOOST4 VDR00 3-13	4x1,5		98	95	93	90	86	80	77	73	64	54	44
XBOOST4 VDR00 3-14	4x1,5		105	102	101	98	92,5	86	83	78	69	58	47
XBOOST4 VDR00 3-15	4x1,5		113	110	108	105	100	94	90	86	76	64	51

### XBOOST4 VDR005

Model	Power (kW)	Q (m³/h)	0	10	12	16	20	24	28	32	34
XBOOST4 VDR00 5-3	4x0,55	H (m)	22,1	21	20,5	19	17,5	15	12	9	7,5
XBOOST4 VDR00 5-4	4x0,55		29,5	28	27,5	26	24	21	17	13	11
XBOOST4 VDR00 5-5	4x0,75		37	35	34,5	33	30	27	23	18	15
XBOOST4 VDR00 5-6	4x1,1		44,5	42	41,5	40	37	33	27	21	18
XBOOST4 VDR00 5-7	4x1,1		52	49,5	48,5	46	42,5	38,5	31,5	24,5	21
XBOOST4 VDR00 5-8	4x1,1		59	57	56	53	49	44	36	28	24
XBOOST4 VDR00 5-9	4x1,5		67	64	63	60	55	49,5	41,5	31,5	27
XBOOST4 VDR00 5-10	4x1,5		74,5	71	70	66	62	55	46	35	30
XBOOST4 VDR00 5-11	4x1,5		82	78	77	73	68	61	51	39	33
XBOOST4 VDR00 5-12	4x2,2		89,5	85	84	81	74,5	66	55	43	37
XBOOST4 VDR00 5-13	4x2,2		97	92	91	87	80	71	60	47	40
XBOOST4 VDR00 5-14	4x2,2		104	100	98	93	87	77	65	51	43,5
XBOOST4 VDR00 5-15	4x2,2		112	107	106	100	93	82	69	54	46,5

### XBOOST4 VDR0010

Model	Power (kW)	Q (m³/h)	0	20	24	36	40	48	56
XBOOST4 VDR00 10-2	4x0,75	H (m)	22,2	21	20,5	19	16,5	13,5	9,5
XBOOST4 VDR00 10-3	4x1,1		33,3	31,5	31	28,5	25,5	22	16,5
XBOOST4 VDR00 10-4	4x1,5		44,5	42	41	38	34	29	22
XBOOST4 VDR00 10-5	4x2,2		56	52,5	51	48	43	37	28
XBOOST4 VDR00 10-6	4x2,2		67	63	62	58	52	44	34
XBOOST4 VDR00 10-7	4x3		78,5	74	73	69	62	52	40
XBOOST4 VDR00 10-8	4x3		90	85	84	79	71	60	46
XBOOST4 VDR00 10-9	4x4		101,5	96	94	89	80	67	52
XBOOST4 VDR00 10-10	4x4		113	107	105	98	89	76	58

### XBOOST4 VDR0015

Model	Power (kW)	Q (m³/h)	0	32	40	48	56	60	64	72	80	88	96
XBOOST4 VDR00 15-2	4x2,2	H (m)	26	24,5	24	23,5	23	22,5	21,5	20	18	16	13,5
XBOOST4 VDR00 15-3	4x3		40	37,5	37	36,5	35,5	34,5	34	32	29	25	21
XBOOST4 VDR00 15-4	4x4		54	50,5	50	49	47,5	47	46	43	39	34	28,5
XBOOST4 VDR00 15-5	4x4		68	63	62	61	59	58	57	53	48	42,5	36
XBOOST4 VDR00 15-6	4x5,5		82	76	75	73	71	69	67	63	58	52	43
XBOOST4 VDR00 15-7	4x5,5		96	89	88	86	83	81	79	74	68	61	51
XBOOST4 VDR00 15-8	4x7,5		110	102	100	98	95	93	91	85	78	69	59

### XBOOST4 VDR0020

Model	Power (kW)	Q (m³/h)	0	40	48	56	64	72	80	88	96	104	112	116
XBOOST4 VDR00 20-2	4x2,2	H (m)	27,2	25,5	25	24,5	24	23,7	23	22	20,5	18	16	14,5
XBOOST4 VDR00 20-3	4x4		41,5	39,5	39	38	37	36	35	33	31	28	25	23,5
XBOOST4 VDR00 20-4	4x5,5		55,5	52,5	51	50	49	48,5	47	45	41,5	37	33	31,5
XBOOST4 VDR00 20-5	4x5,5		69,5	66	65	64	62	60	58	55	51	47	42	40
XBOOST4 VDR00 20-6	4x7,5		84	79	78	77	75	73	70	66	62	58	52	48
XBOOST4 VDR00 20-7	4x7,5		98	92,5	91	90	88	85	82	78	73	68	61	57,5
XBOOST4 VDR00 20-8	4x11		113	106	105	103	101	98	95	90	84	77	70	66

### XBOOST4 VDR0032

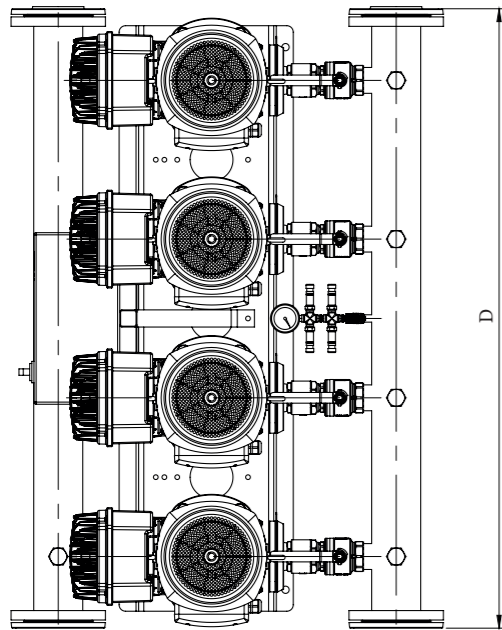
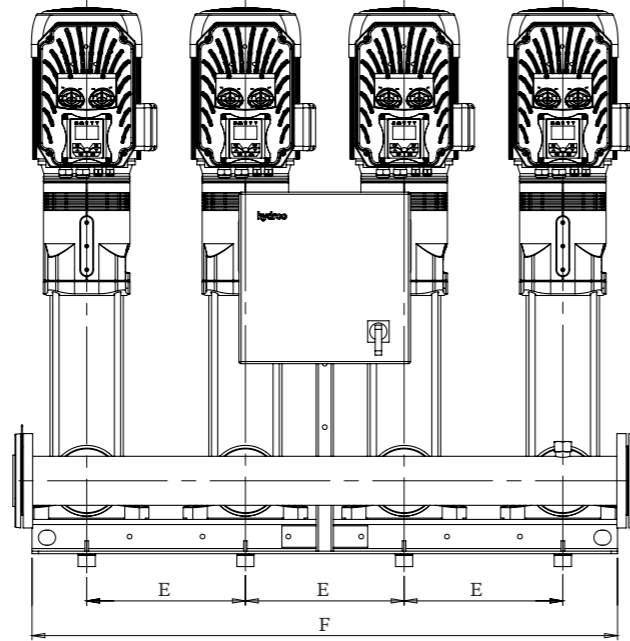
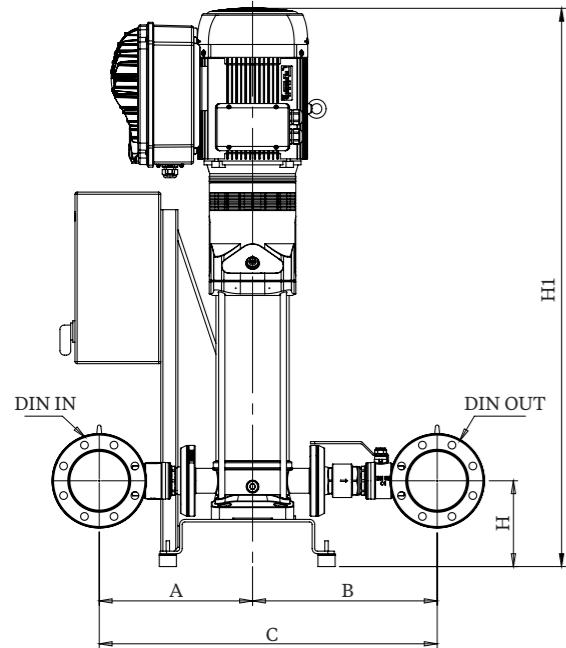
Model	Power (kW)	Q (m³/h)	64	80	96	112	128	144	160
XBOOST4 VDR00 32-10	4x2,2	H (m)	18	17	15	14	13	11	8
XBOOST4 VDR00 32-20-2	4x3		29	28	26	23	20	16	11
XBOOST4 VDR00 32-20	4x4		36	34	32	29	27	23	18
XBOOST4 VDR00 32-30-2	4x5,5		47	44	41	39	33	28	21
XBOOST4 VDR00 32-30	4x5,5		54	51	48	44	40	35	27
XBOOST4 VDR00 32-40-2	4x7,5		65	62	58	53	46	40	30
XBOOST4 VDR00 32-40	4x7,5		72	69	65	59	53	47	37
XBOOST4 VDR00 32-50-2	4x11		83	79	74	68	60	52	41
XBOOST4 VDR00 32-50	4x11		90	86	81	74	67	59	47
XBOOST4 VDR00 32-60-2	4x11		101	97	90	83	74	65	51
XBOOST4 VDR00 32-60	4x11		108	104	97	90	81	72	57

### XBOOST4 VDR0045

Model	Power (kW)	Q (m³/h)	100	120	140	160	168	180	200	220
XBOOST4 VDR00 45-20-2	4x5,5	H (m)	40	38	36	33	32	30	27	23
XBOOST4 VDR00 45-20	4x7,5		48	46	44	42	41	39	35	31
XBOOST4 VDR00 45-30-2	4x11		63	61	58	54	52	50	44	38
XBOOST4 VDR00 45-30	4x11		71	69	66	63	61	58	53	47

# XBOOST4

## Installation sketch



## General dimensions

### XBOOST4 VDROO3

Model	DN <sub>IN</sub>	DN <sub>OUT</sub>	A (mm)	B (mm)	C (mm)	D (mm)	E (mm)	F (mm)	H (mm)	H1 (mm)
XBOOST4 VDROO 3-3	2"	2"	308	460	856	1410	370	1365	190	612
XBOOST4 VDROO 3-4	2"	2"	308	460	856	1410	370	1365	190	632
XBOOST4 VDROO 3-5	2"	2"	308	460	856	1410	370	1365	190	652
XBOOST4 VDROO 3-6	2"	2"	308	460	856	1410	370	1365	190	672
XBOOST4 VDROO 3-7	2"	2"	308	460	856	1410	370	1365	190	732
XBOOST4 VDROO 3-8	2"	2"	308	460	856	1410	370	1365	190	752
XBOOST4 VDROO 3-9	2"	2"	308	460	856	1410	370	1365	190	772
XBOOST4 VDROO 3-10	2"	2"	308	460	856	1410	370	1365	190	792
XBOOST4 VDROO 3-11	2"	2"	308	460	856	1410	370	1365	190	812
XBOOST4 VDROO 3-12	2"	2"	308	460	856	1410	370	1365	190	832
XBOOST4 VDROO 3-13	2"	2"	308	460	856	1410	370	1365	190	907
XBOOST4 VDROO 3-14	2"	2"	308	460	856	1410	370	1365	190	927
XBOOST4 VDROO 3-15	2"	2"	308	460	856	1410	370	1365	190	947

### XBOOST4 VDROO5

Model	DN <sub>IN</sub>	DN <sub>OUT</sub>	A (mm)	B (mm)	C (mm)	D (mm)	E (mm)	F (mm)	H (mm)	H1 (mm)
XBOOST4 VDROO 5-3	3"	3"	308	460	856	1410	370	1365	190	633
XBOOST4 VDROO 5-4	3"	3"	308	460	856	1410	370	1365	190	660
XBOOST4 VDROO 5-5	3"	3"	308	460	856	1410	370	1365	190	727
XBOOST4 VDROO 5-6	3"	3"	308	460	856	1410	370	1365	190	754
XBOOST4 VDROO 5-7	3"	3"	308	460	856	1410	370	1365	190	781
XBOOST4 VDROO 5-8	3"	3"	308	460	856	1410	370	1365	190	808
XBOOST4 VDROO 5-9	3"	3"	308	460	856	1410	370	1365	190	890
XBOOST4 VDROO 5-10	3"	3"	308	460	856	1410	370	1365	190	917
XBOOST4 VDROO 5-11	3"	3"	308	460	856	1410	370	1365	190	944
XBOOST4 VDROO 5-12	3"	3"	308	460	856	1410	370	1365	190	971
XBOOST4 VDROO 5-13	3"	3"	308	460	856	1410	370	1365	190	998
XBOOST4 VDROO 5-14	3"	3"	308	460	856	1410	370	1365	190	1025
XBOOST4 VDROO 5-15	3"	3"	308	460	856	1410	370	1365	190	1052

### XBOOST4 VDROO10

Model	DN <sub>IN</sub>	DN <sub>OUT</sub>	A (mm)	B (mm)	C (mm)	D (mm)	E (mm)	F (mm)	H (mm)	H1 (mm)
XBOOST4 VDROO 10-2	3"	3"	308	460	856	1410	370	1365	190	702
XBOOST4 VDROO 10-3	3"	3"	308	460	856	1410	370	1365	190	732
XBOOST4 VDROO 10-4	3"	3"	308	460	856	1410	370	1365	190	817
XBOOST4 VDROO 10-5	3"	3"	308	460	856	1410	370	1365	190	847
XBOOST4 VDROO 10-6	3"	3"	308	460	856	1410	370	1365	190	877
XBOOST4 VDROO 10-7	3"	3"	308	460	856	1410	370	1365	190	972
XBOOST4 VDROO 10-8	3"	3"	308	460	856	1410	370	1365	190	1002
XBOOST4 VDROO 10-9	3"	3"	308	460	856	1410	370	1365	190	1042
XBOOST4 VDROO 10-10	3"	3"	308	460	856	1410	370	1365	190	1072

# XBOOST4

## General dimensions

### XBOOST4 VDRO015

Model	DN <sub>IN</sub>	DN <sub>OUT</sub>	A (mm)	B (mm)	C (mm)	D (mm)	E (mm)	F (mm)	H (mm)	H1 (mm)
XBOOST4 VDROO 15-2	100	100	363	421	1004	1454	370	1365	200	797
XBOOST4 VDROO 15-3	100	100	363	421	1004	1454	370	1365	200	907
XBOOST4 VDROO 15-4	100	100	363	421	1004	1454	370	1365	200	962
XBOOST4 VDROO 15-5	100	100	363	421	1004	1454	370	1365	200	1007
XBOOST4 VDROO 15-6	100	100	363	421	1004	1454	370	1365	200	1165
XBOOST4 VDROO 15-7	100	100	363	421	1004	1454	370	1365	200	1210
XBOOST4 VDROO 15-8	100	100	363	421	1004	1454	370	1365	200	1255

### XBOOST4 VDRO020

Model	DN <sub>IN</sub>	DN <sub>OUT</sub>	A (mm)	B (mm)	C (mm)	D (mm)	E (mm)	F (mm)	H (mm)	H1 (mm)
XBOOST4 VDROO 20-2	125	100	376	421	1032	1454	370	1365	200	797
XBOOST4 VDROO 20-3	125	100	376	421	1032	1454	370	1365	200	917
XBOOST4 VDROO 20-4	125	100	376	421	1032	1454	370	1365	200	1075
XBOOST4 VDROO 20-5	125	100	376	421	1032	1454	370	1365	200	1120
XBOOST4 VDROO 20-6	125	100	376	421	1032	1454	370	1365	200	1165
XBOOST4 VDROO 20-7	125	100	376	421	1032	1454	370	1365	200	1210
XBOOST4 VDROO 20-8	125	100	376	421	1032	1664	370	1880	250	1445

### XBOOST4 VDRO032

Model	DN <sub>IN</sub>	DN <sub>OUT</sub>	A (mm)	B (mm)	C (mm)	D (mm)	E (mm)	F (mm)	H (mm)	H1 (mm)
XBOOST4 VDROO 32-10	125	125	461	726	1437	1664	440	1880	265	955
XBOOST4 VDROO 32-20-2	125	125	461	726	1437	1664	440	1880	265	1080
XBOOST4 VDROO 32-20	125	125	461	726	1437	1664	440	1880	265	1090
XBOOST4 VDROO 32-30-2	125	125	461	726	1437	1664	440	1880	265	1195
XBOOST4 VDROO 32-30	125	125	461	726	1451	1664	440	1880	265	1195
XBOOST4 VDROO 32-40-2	125	125	461	726	1451	1664	440	1880	265	1265
XBOOST4 VDROO 32-40	125	125	461	726	1451	1664	440	1880	265	1265
XBOOST4 VDROO 32-50-2	125	125	461	726	1451	1664	440	1880	265	1550
XBOOST4 VDROO 32-50	125	125	461	726	1451	1664	440	1880	265	1550
XBOOST4 VDROO 32-60-2	125	125	461	726	1451	1664	440	1880	265	1620
XBOOST4 VDROO 32-60	125	125	461	726	1451	1664	440	1880	265	1620

### XBOOST4 VDRO045

Model	DN <sub>IN</sub>	DN <sub>OUT</sub>	A (mm)	B (mm)	C (mm)	D (mm)	E (mm)	F (mm)	H (mm)	H1 (mm)
XBOOST4 VDROO 45-20-2	150	150	498	766	1548	1664	440	1880	300	1226
XBOOST4 VDROO 45-20	150	150	498	766	1548	1664	440	1880	300	1226
XBOOST4 VDROO 45-30-2	150	150	498	766	1548	1664	440	1880	300	1521
XBOOST4 VDROO 45-30	150	150	498	766	1548	1664	440	1880	300	1521

## Notes



# hydroo®

Be pumping partners

**HYDROO**  
**Pump Industries SL**

Carrer La Banyeta Nova, 11  
Polígon Industrial La Banyeta  
17843 Palol de Revardit  
Catalonia. Spain  
Tel. +34 972 394 654  
E-mail: [info@hydroo.com](mailto:info@hydroo.com)  
[www.hydroo.com](http://www.hydroo.com)

202138-CTL-XBOOST-EN  
subject to amendments

