

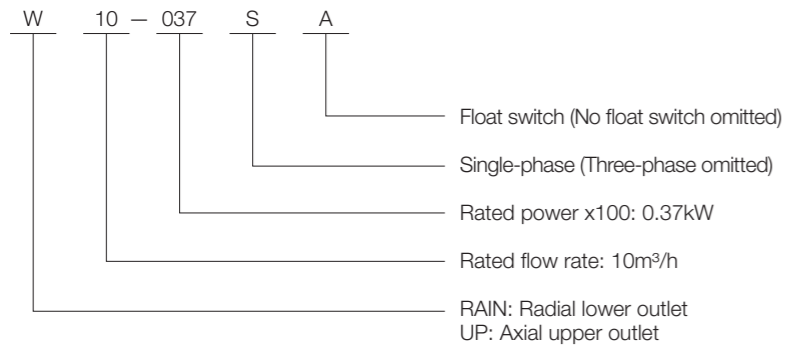
hydroo[®]

WDROO SERIES WUP, WRAIN 50HZ

**Lightweight Stainless Steel
Drainage Pumps**



Model definition



Structure feature

Fully manufactured in AISI304SS, rusty proof, corrosion resisting; WRAIN, WUP main features, light weight, easy operation, motor pump in a whole, dual mechanical seal, high efficiency.

These pumps design allows a trustful, troubleless pump operation for domestic applications. Easy to handle.

Operating conditions

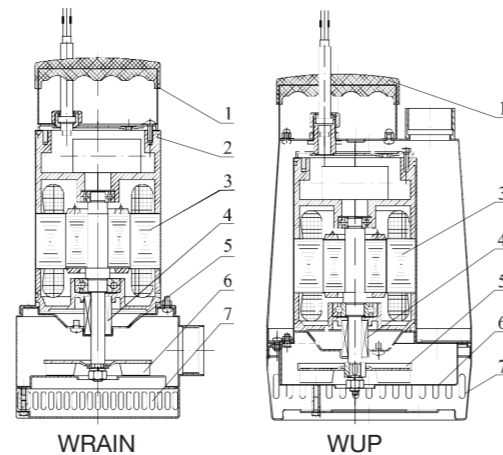
Submersible pump, max submerged depth is 5 m;
 Max. temperature of pumped liquid: 40°C;
 Solids diameter should be less than 10 mm;
 Motor: Insulation class F, protection class: IP68;
 Single phase pump, with capacitor and protection;
 PH range 4-10;
 Double mechanical seal: CSI/CSI; Graphit/CSI
 Others: Standard cable length is 9 m, flow switch is optional for single phase pump.
 Very low pumping flowded suction head for all models, down to 5 mm.

Applications

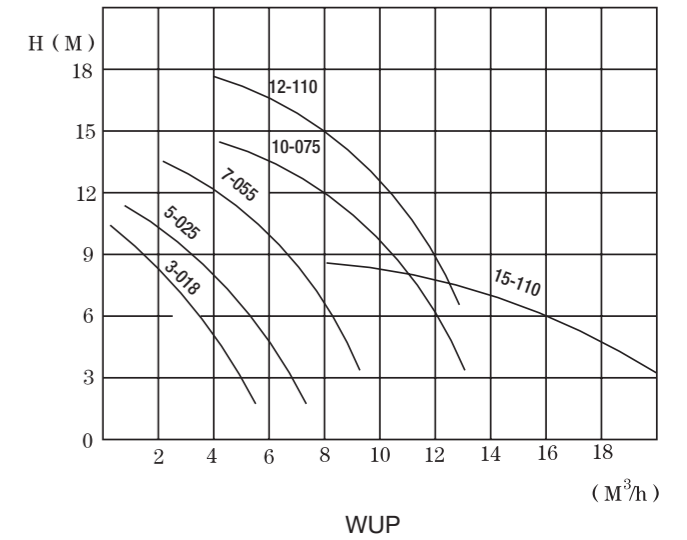
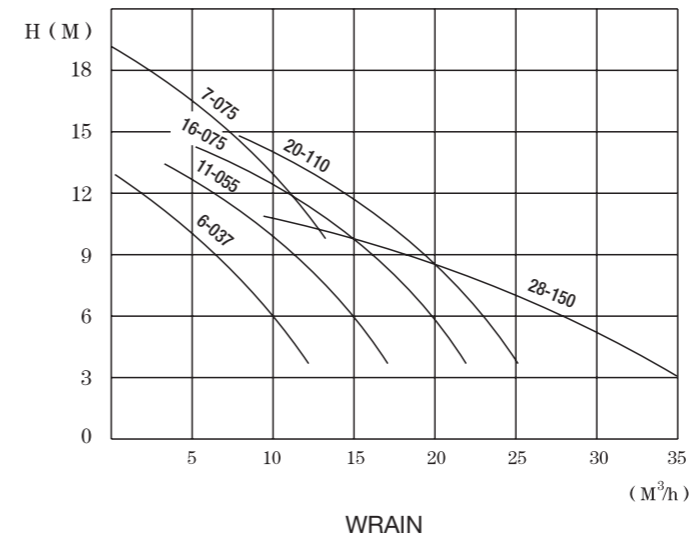
Garden irrigation, cultivation, municipal flood drainage and fountains;
 Salty water or similar as water which contains normal corrosive liquid;
 Drainage for river water, lake, rain water, pool water drainage, grey waters and temporary installations.

Structure, material

SN	Name	Material
1	Handle	PP+GF
2	Upper cover	SS304
3	Double mechanical seal	Sealing Washer
		Motor terminal
4	Casing	SS304
5	Impeller	SS304
6	Strainer	SS304
7	Base	SS304

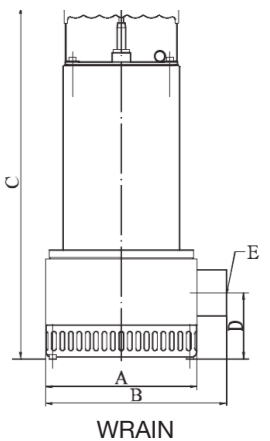


Performance scope



Technical parameters

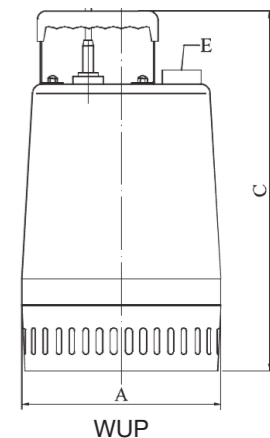
Model	kw	Q (m ³ /h)	H (m)	Options*			Amperage (A)	Outlet mm
				S	T	A		
WUP3-018	0.2	3	7	•		•	1.7	G1.25"F
WUP5-025	0.3	5	5	•		•	2.0	G1.25"F
WUP7-055	0.6	7	9.5	•	•	•	5.0	G1.5"F
WUP10-075	0.8	10	9	•	•	•	5.4/2.0	G1.5"F
WUP12-110	1.1	12	9	•	•	•	6.5/2.6	G1.5"F
WUP15-110	1.1	15	7	•	•	•	6.5/2.6	G1.5"F
WRAIN6-037	0.4	6	9	•		•	4.2	G1.5"F
WRAIN7-075	0.8	7	15	•	•	•	5.4/2.0	G2"F
WRAIN11-055	0.6	11	9	•	•	•	5.0/1.7	G1.5"F
WRAIN16-075	0.8	16	9	•	•	•	5.4/2.0	G1.5"F
WRAIN20-110	1.1	20	9	•	•	•	6.5/2.6	G2"F
WRAIN28-150	1.5	28	6	•	•	•	8.0/3.6	G2"F



*S: Single phase
 *T: Three phase
 *A: Float switch

Simplified drawing and installation dimensions

Model	A mm	B mm	C mm	D mm	E mm	Packaging mm	Weight Kg
WUP3-018	130	-	280	-	G1.25"F	170x190x300	6
WUP5-025	150	-	290	-	G1.25"F	200x200x340	7
WUP7-055	220	-	360	-	G1.5"F	230x270x380	14
WUP10-075	220	-	380	-	G1.5"F	230x270x400	14
WUP12-110	220	-	380	-	G1.5"F	230x270x400	16
WUP15-110	220	-	380	-	G1.5"F	230x270x400	16
WRAIN6-037	170	195	360	68	G1.5"F	170x240x390	12
WRAIN7-075	170	195	385	68	G2"F	170x240x420	14
WRAIN11-055	170	195	360	68	G1.5"F	170x240x390	13
WRAIN16-075	170	195	385	68	G1.5"F	170x240x420	14
WRAIN20-110	170	195	385	68	G2"F	170x240x420	23
WRAIN28-150	170	210	405	68	G2"F	170x240x420	23



hydroo®

Be pumping partners

HYDROO
Pump Industries SL

Carrer La Banyeta Nova, 11
Polígon Industrial La Banyeta
17843 Palol de Revardit
Catalonia. Spain
Tel. +34 972 394 654
E-mail: info@hydroo.com
www.hydroo.com

201919-CTL-WUP&WRAIN-EN
subject to amendments

